

GE HN AB

Screw-in sockets

Properties

Connection 1 NPT external threads

Sealing form 1 thread seal

Connection 2 BSP nut thread

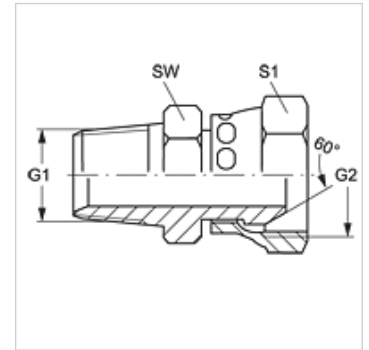
Sealing form 2 60° inner cone

Design Screw-in sockets

Construction straight

Material Steel

Surface electro galvanised



Item

Identification	G1	G2	AF (mm)	S1
GE HN 04 AB	1/4" -18 NPT	G 1/4" -19	16	19
GE HN 04 AB 06	1/4" -18 NPT	G 3/8" -19	18	22
GE HN 06 AB 04	3/8" -18 NPT	G 1/4" -19	21	19
GE HN 06 AB	3/8" -18 NPT	G 3/8" -19	22	22
GE HN 06 AB 08	3/8" -18 NPT	G 1/2" -14	25	22
GE HN 08 AB 06	1/2" -14 NPT	G 3/8" -19	22	22
GE HN 08 AB	1/2" -14 NPT	G 1/2" -14	25	27
GE HN 08 AB 10	1/2" -14 NPT	G 5/8" -14	27	30
GE HN 12 AB 08	3/4" -14 NPT	G 1/2" -14	33	27
GE HN 12 AB	3/4" -14 NPT	G 3/4" -14	33	32
GE HN 16 AB	1" -11.5 NPT	G 1" -11	38	41
GE HN 16 AB 12	1" -11.5 NPT	G 3/4" -14	35	32

SW, S1, S2 = With across flats

Product versions

GE HN AB VA Screw-in sockets, Stainless steel