

# GE HN HJOF

Screw-in sockets

## Properties

**Connection 1** NPT external threads

**Sealing form 1** thread seal

**Connection 2** ORFS external threads

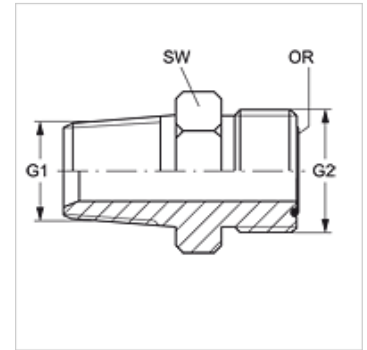
**Sealing form 2** flat seal with O-ring

**Design** Screw-in sockets

**Construction** straight

**Material** Steel

**Surface** electro galvanised



## Item

Identification	G1	G2	AF (mm)	OR
GE HN 02 HJOF 04	1/8" -27 NPT	9/16"-18 UNF	16	7.65 x 1.78
GE HN 04 HJOF	1/4" -18 NPT	9/16"-18 UNF	16	7.65 x 1.78
GE HN 04 HJOF 06	1/4" -18 NPT	11/16" -16 UN	19	9.25 x 1.78
GE HN 06 HJOF	3/8" -18 NPT	11/16" -16 UN	19	9.25 x 1.78
GE HN 06 HJOF 08	3/8" -18 NPT	13/16" -16 UN	22	12.42 x 1.78
GE HN 08 HJOF 06	1/2" -14 NPT	11/16" -16 UN	22	9.25 x 1.78
GE HN 08 HJOF	1/2" -14 NPT	13/16" -16 UN	22	12.42 x 1.78
GE HN 08 HJOF 10	1/2" -14 NPT	1" -14 UNS	27	15.60 x 1.78
GE HN 12 HJOF 08	3/4" -14 NPT	13/16" -16 UN	29	12.42 x 1.78
GE HN 12 HJOF 10	3/4" -14 NPT	1" -14 UNS	29	15.60 x 1.78
GE HN 12 HJOF	3/4" -14 NPT	1.3/16" -12 UN	32	18.77 x 1.78
GE HN 12 HJOF 16	3/4" -14 NPT	1.7/16" -12 UN	38	23.52 x 1.78
GE HN 16 HJOF 12	1" -11.5 NPT	1.3/16" -12 UN	35	18.77 x 1.78
GE HN 16 HJOF	1" -11.5 NPT	1.7/16" -12 UN	38	23.52 x 1.78
GE HN 20 HJOF	1.1/4" -11.5 NPT	1.11/16" -12 UN	48	29.87 x 1.78
GE HN 24 HJOF	1.1/2" -11.5 NPT	2" -12 UN	54	37.82 x 1.78

AF = Width across flats

## Product versions

GE HN HJOF VA Screw-in sockets, Stainless steel