

GE HN HJOF VA

Screw-in sockets

HANSA FLEX

Properties

Connection 1 NPT external threads

Sealing form 1 thread seal

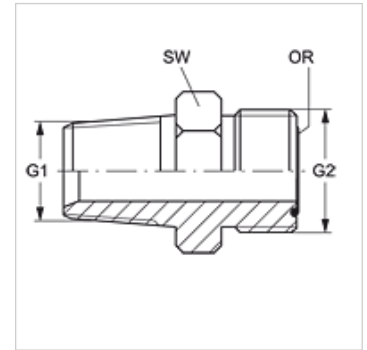
Connection 2 ORFS external threads

Sealing form 2 flat seal with O-ring

Design Screw-in sockets

Construction straight

Material Stainless steel



Ordering information

Seals of NBR

FPM (Viton) on request

Item

Identification	G1	G2	AF (mm)	OR
GE HN 02 HJOF 04 VA	1/8" -27 NPT	9/16"-18 UNF	16	7.65 x 1.78
GE HN 04 HJOF VA	1/4" -18 NPT	9/16"-18 UNF	16	7.65 x 1.78
GE HN 04 HJOF 06 VA	1/4" -18 NPT	11/16" -16 UN	19	9.25 x 1.78
GE HN 06 HJOF VA	3/8" -18 NPT	11/16" -16 UN	19	9.25 x 1.78
GE HN 06 HJOF 08 VA	3/8" -18 NPT	13/16" -16 UN	22	12.42 x 1.78
GE HN 08 HJOF VA	1/2" -14 NPT	13/16" -16 UN	22	12.42 x 1.78
GE HN 08 HJOF 10 VA	1/2" -14 NPT	1" -14 UNS	27	15.60 x 1.78
GE HN 12 HJOF VA	3/4" -14 NPT	1.3/16" -12 UN	32	18.77 x 1.78
GE HN 16 HJOF VA	1" -11.5 NPT	1.7/16" -12 UN	38	23.52 x 1.78

AF = Width across flats

Product versions

GE HN HJOF Screw-in sockets, Steel