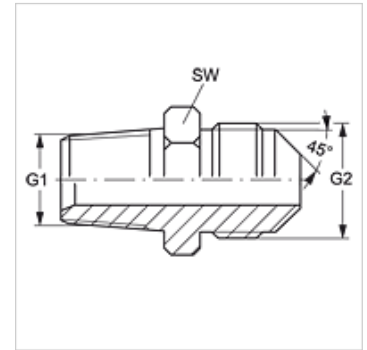


# GE HN HSA

## Screw-in sockets

### Properties

<b>Connection 1</b>	NPT external threads
<b>Sealing form 1</b>	thread seal
<b>Connection 2</b>	UN/UNF external threads
<b>Sealing form 2</b>	45° outer cone
<b>Design</b>	Screw-in sockets
<b>Construction</b>	straight
<b>Material</b>	Steel
<b>Surface</b>	electro galvanised



### Item

Identification	G1	G2	AF (mm)
<b>GE HN 04 HSA 06</b>	1/4" -18 NPT	5/8"-18 UNF	16
<b>GE HN 06 HSA</b>	3/8" -18 NPT	5/8"-18 UNF	19
<b>GE HN 08 HSA 06</b>	1/2" -14 NPT	5/8"-18 UNF	22

AF = Width across flats