

# GE HRED AJ VA

Screw-in sockets

**HANSA FLEX**

## Properties

**Connection 1** BSP external thread, cylindrical

**Sealing form 1** Shape E

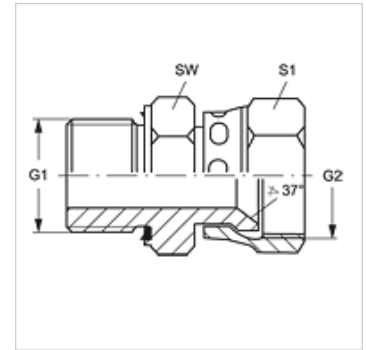
**Connection 2** UN/UNF nut threads

**Sealing form 2** 74° inner cone

**Design** Screw-in sockets

**Construction** straight

**Material** Stainless steel



## Ordering information

Seals of NBR

FPM (Viton) on request

## Item

Identification	G1	G2	AF (mm)	S1
GE HRED 02 AJ 04 VA	G 1/8" -28	7/16"-20 UNF	14	16
GE HRED 04 AJ 06 VA	G 1/4" -19	9/16"-18 UNF	19	19
GE HRED 06 AJ 08 VA	G 3/8" -19	3/4"-16 UNF	22	22
GE HRED 08 AJ 10 VA	G 1/2" -14	7/8"-14 UNF	27	27
GE HRED 12 AJ VA	G 3/4" -14	1.1/16" -12 UN	32	32
GE HRED 16 AJ VA	G 1" -11	1.5/16" -12 UN	41	38

SW, S1, S2 = With across flats

## Product versions

GE HRED AJ Screw-in sockets, Steel

## Spare parts

WD V Soft seal for ED fittings