

GE HRED HJ VA

Screw-in sockets

HANSA FLEX

Properties

Connection 1 BSP external thread, cylindrical

Sealing form 1 Shape E

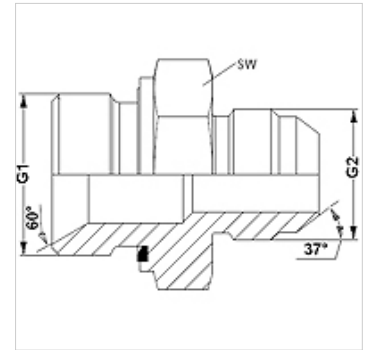
Connection 2 UN/UNF external threads

Sealing form 2 74° outer cone

Design Screw-in sockets

Construction straight

Material Stainless steel



Ordering information

Seals of NBR

FPM (Viton) on request

Item

Identification	G1	G2	AF (mm)
GE HRED 02 HJ 04 VA	G 1/8" -28	7/16"-20 UNF	14
GE HRED 04 HJ 05 VA	G 1/4" -19	1/2"-20 UNF	19
GE HRED 04 HJ 06 VA	G 1/4" -19	9/16"-18 UNF	19
GE HRED 04 HJ 08 VA	G 1/4" -19	3/4"-16 UNF	19
GE HRED 04 HJ VA	G 1/4" -19	7/16"-20 UNF	19
GE HRED 06 HJ 04 VA	G 3/8" -19	7/16"-20 UNF	22
GE HRED 06 HJ 05 VA	G 3/8" -19	1/2"-20 UNF	22
GE HRED 06 HJ 08 VA	G 3/8" -19	3/4"-16 UNF	22
GE HRED 06 HJ VA	G 3/8" -19	9/16"-18 UNF	22
GE HRED 08 HJ 06VA	G 1/2" -14	9/16"-18 UNF	27
GE HRED 08 HJ 10 VA	G 1/2" -14	7/8"-14 UNF	27
GE HRED 08 HJ 12 VA	G 1/2" -14	1.1/16" -12 UN	27
GE HRED 08 HJ VA	G 1/2" -14	3/4"-16 UNF	27
GE HRED 12 HJ 10 VA	G 3/4" -14	7/8"-14 UNF	32
GE HRED 12 HJ 16 VA	G 3/4" -14	1.5/16" -12 UN	36
GE HRED 12 HJ VA	G 3/4" -14	1.1/16" -12 UN	32
GE HRED 16 HJ 20 VA	G 1" -11	1.5/8" -12 UN	46
GE HRED 16 HJ VA	G 1" -11	1.5/16" -12 UN	41
GE HRED 20 HJ 24 VA	G 1.1/4" -11	1.7/8" -12 UN	50
GE HRED 20 HJ VA	G 1.1/4" -11	1.5/8" -12 UN	50
GE HRED 24 HJ VA	G 1.1/2" -11	1.7/8" -12 UN	55

AF = Width across flats

Product versions

GE HRED HJ Screw-in sockets, Steel

Spare parts

WD V Soft seal for ED fittings