

GE HRED AJF

Screw-in sockets

Properties

Connection 1 BSP external thread, cylindrical

Sealing form 1 Shape E

Connection 2 ORFS nut threads

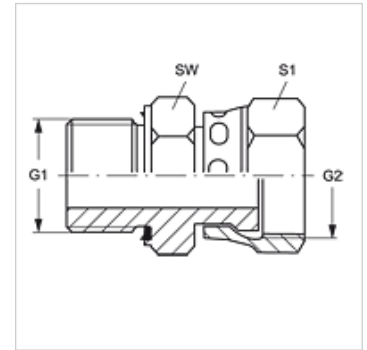
Sealing form 2 Flat seal

Design Screw-in sockets

Construction straight

Material Steel

Surface electro galvanised



Item

Identification	Operating pressure	G1	G2	AF (mm)	S1
GE HRED 02 AJ F 04	PN 500	G 1/8" -28	9/16"-18 UNF	14	17
GE HRED 04 AJF	PN 500	G 1/4" -19	9/16"-18 UNF	19	17
GE HRED 04 AJF 06	PN 630	G 1/4" -19	11/16" -16 UN	19	22
GE HRED 04 AJF 08	PN 630	G 1/4" -19	13/16" -16 UN	22	24
GE HRED 06 AJF	PN 630	G 3/8" -19	11/16" -16 UN	22	22
GE HRED 06 AJF 08	PN 630	G 3/8" -19	13/16" -16 UN	22	24
GE HRED 08 AJF 06	PN 420	G 1/2" -14	11/16" -16 UN	27	22
GE HRED 08 AJF	PN 420	G 1/2" -14	13/16" -16 UN	27	24
GE HRED 08 AJF 10	PN 420	G 1/2" -14	1" -14 UNS	27	30
GE HRED 08 AJF 12	PN 420	G 1/2" -14	1.3/16" -12 UN	30	36
GE HRED 12 AJF 10	PN 420	G 3/4" -14	1" -14 UNS	32	30
GE HRED 12 AJF	PN 400	G 3/4" -14	1.3/16" -12 UN	32	36
GE HRED 16 AJF	PN 400	G 1" -11	1.7/16" -12 UN	41	41
GE HRED 20 AJF	PN 350	G 1.1/4" -11	1.11/16" -12 UN	50	50
GE HRED 24 AJF		G 1.1/2" -11	2" -12 UN	55	60

SW, S1, S2 = With across flats

Spare parts

WD Soft seal for ED fittings