

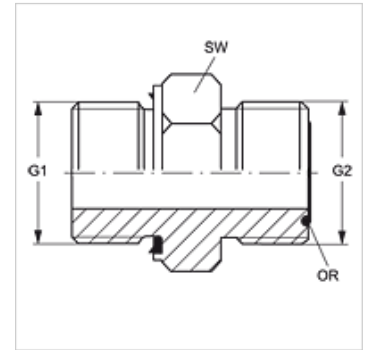
GE HRED HJOF

Screw-in sockets

HANSA FLEX

Properties

| | |
|-----------------------|----------------------------------|
| Connection 1 | BSP external thread, cylindrical |
| Sealing form 1 | Shape E |
| Connection 2 | ORFS external threads |
| Sealing form 2 | flat seal with O-ring |
| Design | Screw-in sockets |
| Construction | straight |
| Material | Steel |
| Surface | electro galvanised |



Item

| Identification | G1 | G2 | AF (mm) | OR |
|--------------------|--------------|-----------------|------------|--------------|
| GE HRED 02 HJOF 04 | G 1/8" -28 | 9/16"-18 UNF | 17 | 7.65 x 1.78 |
| GE HRED 02 HJOF 06 | G 1/8" -28 | 11/16" -16 UN | 19 | 9.25 x 1.78 |
| GE HRED 04 HJOF | G 1/4" -19 | 9/16"-18 UNF | 19 | 7.65 x 1.78 |
| GE HRED 04 HJOF 06 | G 1/4" -19 | 11/16" -16 UN | 19 | 9.25 x 1.78 |
| GE HRED 04 HJOF 08 | G 1/4" -19 | 13/16" -16 UN | 22 | 12.42 x 1.78 |
| GE HRED 06 HJOF 04 | G 3/8" -19 | 9/16"-18 UNF | 22 | 7.65 x 1.78 |
| GE HRED 06 HJOF | G 3/8" -19 | 11/16" -16 UN | 22 | 9.25 x 1.78 |
| GE HRED 06 HJOF 08 | G 3/8" -19 | 13/16" -16 UN | 22 | 12.42 x 1.78 |
| GE HRED 06 HJOF 10 | G 3/8" -19 | 1" -14 UNS | 27 | 15.60 x 1.78 |
| GE HRED 08 HJOF 04 | G 1/2" -14 | 9/16"-18 UNF | 27 | 7.65 x 1.78 |
| GE HRED 08 HJOF 06 | G 1/2" -14 | 11/16" -16 UN | 27 | 9.25 x 1.78 |
| GE HRED 08 HJOF | G 1/2" -14 | 13/16" -16 UN | 27 | 12.42 x 1.78 |
| GE HRED 08 HJOF 10 | G 1/2" -14 | 1" -14 UNS | 27 | 15.60 x 1.78 |
| GE HRED 08 HJOF 12 | G 1/2" -14 | 1.3/16" -12 UN | 32 | 18.77 x 1.78 |
| GE HRED 12 HJOF 06 | G 3/4" -14 | 11/16" -16 UN | 32 | 9.25 x 1.78 |
| GE HRED 12 HJOF 08 | G 3/4" -14 | 13/16" -16 UN | 32 | 12.42 x 1.78 |
| GE HRED 12 HJOF 10 | G 3/4" -14 | 1" -14 UNS | 32 | 15.60 x 1.78 |
| GE HRED 12 HJOF | G 3/4" -14 | 1.3/16" -12 UN | 32 | 18.77 x 1.78 |
| GE HRED 12 HJOF 16 | G 3/4" -14 | 1.7/16" -12 UN | 41 | 23.52 x 1.78 |
| GE HRED 16 HJOF 10 | G 1" -11 | 1" -14 UNS | 41 | 15.60 x 1.78 |
| GE HRED 16 HJOF 12 | G 1" -11 | 1.3/16" -12 UN | 41 | 18.77 x 1.78 |
| GE HRED 16 HJOF | G 1" -11 | 1.7/16" -12 UN | 41 | 23.52 x 1.78 |
| GE HRED 16 HJOF 20 | G 1" -11 | 1.11/16" -12 UN | 46 | 29.87 x 1.78 |
| GE HRED 20 HJOF 16 | G 1.1/4" -11 | 1.7/16" -12 UN | 50 | 23.52 x 1.78 |
| GE HRED 20 HJOF | G 1.1/4" -11 | 1.11/16" -12 UN | 50 | 29.87 x 1.78 |
| GE HRED 24 HJOF 16 | G 1.1/2" -11 | 1.7/16" -12 UN | 55 | 23.52 x 1.78 |
| GE HRED 24 HJOF 20 | G 1.1/2" -11 | 1.11/16" -12 UN | 55 | 29.87 x 1.78 |
| GE HRED 24 HJOF | G 1.1/2" -11 | 2" -12 UN | 55 | 37.82 x 1.78 |

AF = Width across flats

Product versions

GE HRED HJOF VA Screw-in sockets, Stainless steel

Spare parts

WD Soft seal for ED fittings