

GE HRED HJOF VA

Screw-in sockets

HANSA FLEX

Properties

Connection 1 BSP external thread, cylindrical

Sealing form 1 Shape E

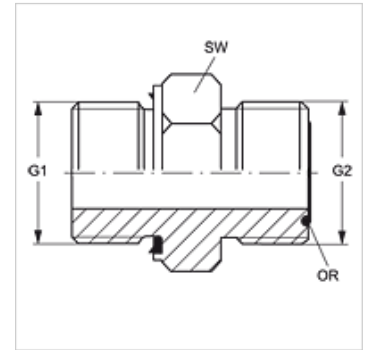
Connection 2 ORFS external threads

Sealing form 2 flat seal with O-ring

Design Screw-in sockets

Construction straight

Material Stainless steel



Ordering information

Seals of NBR

FPM (Viton) on request

Item

Identification	G1	G2	AF (mm)	OR
GE HRED 02 HJOF 04 VA	G 1/8" -28	9/16" -18 UNF	17	7.65 x 1.78
GE HRED 02 HJOF06 VA	G 1/8" -28	11/16" -16 UN	19	9.25 x 1.78
GE HRED 04 HJOF 06 VA	G 1/4" -19	11/16" -16 UN	19	9.25 x 1.78
GE HRED 04 HJOF 08 VA	G 1/4" -19	13/16" -16 UN	22	12.42 x 1.78
GE HRED 04 HJOF VA	G 1/4" -19	9/16" -18 UNF	19	7.65 x 1.78
GE HRED 06 HJOF 04 VA	G 3/8" -19	9/16" -18 UNF	22	7.65 x 1.78
GE HRED 06 HJOF 08 VA	G 3/8" -19	13/16" -16 UN	22	12.42 x 1.78
GE HRED 06 HJOF 10 VA	G 3/8" -19	1" -14 UNS	27	15.60 x 1.78
GE HRED 06 HJOF VA	G 3/8" -19	11/16" -16 UN	22	9.25 x 1.78
GE HRED 08 HJOF 06 VA	G 1/2" -14	11/16" -16 UN	27	9.25 x 1.78
GE HRED 08 HJOF 10 VA	G 1/2" -14	1" -14 UNS	27	15.60 x 1.78
GE HRED 08 HJOF 12 VA	G 1/2" -14	1.3/16" -12 UN	32	18.77 x 1.78
GE HRED 08 HJOF VA	G 1/2" -14	13/16" -16 UN	27	12.42 x 1.78
GE HRED 12 HJOF 10 VA	G 3/4" -14	1" -14 UNS	32	15.60 x 1.78
GE HRED 12 HJOF 16 VA	G 3/4" -14	1.7/16" -12 UN	41	23.52 x 1.78
GE HRED 12 HJOF VA	G 3/4" -14	1.3/16" -12 UN	32	18.77 x 1.78
GE HRED 16 HJOF VA	G 1" -11	1.7/16" -12 UN	41	23.52 x 1.78

AF = Width across flats

Product versions

GE HRED HJOF Screw-in sockets, Steel

Spare parts

WD V Soft seal for ED fittings