

GE HRK AB VA

Screw-in sockets

HANSA FLEX

Properties

Connection 1 BSPT conical external threads

Sealing form 1 thread seal

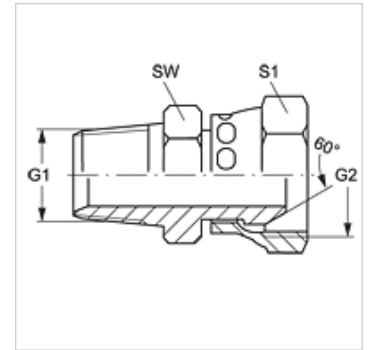
Connection 2 BSP nut thread

Sealing form 2 60° inner cone

Design Screw-in sockets

Construction straight

Material Stainless steel



Item

Identification	G1	G2	AF (mm)	S1
GE HRK 02 AB VA	R 1/8" K	G 1/8" -28	14	14
GE HRK 04 AB VA	R 1/4" K	G 1/4" -19	19	19
GE HRK 06 AB VA	R 3/8" K	G 3/8" -19	22	22
GE HRK 08 AB VA	R 1/2" K	G 1/2" -14	27	27
GE HRK 12 AB VA	R 3/4" K	G 3/4" -14	37	37
GE HRK 16 AB VA	R 1" K	G 1" -11	41	41
GE HRK 20 AB VA	R 1.1/4" K	G 1.1/4" -11	50	50
GE HRK 24 AB VA	R 1.1/2" K	G 1.1/2" -11	55	60
GE HRK 32 AB VA	R 2" K	G 2" -11	64	67

SW, S1, S2 = With across flats

Product versions

GE HRK AB Screw-in sockets, Steel