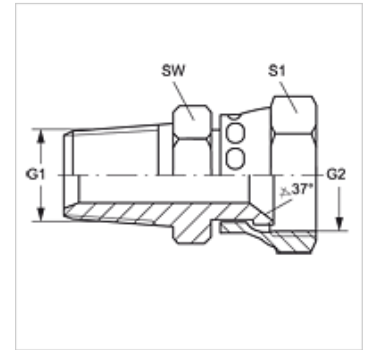


GE HRK AJ

Screw-in sockets

Properties

Connection 1	BSPT conical external threads
Sealing form 1	thread seal
Connection 2	UN/UNF nut threads
Sealing form 2	74° inner cone
Design	Screw-in sockets
Construction	straight
Material	Steel
Surface	electro galvanised



Item

Identification	G1	G2	AF (mm)	S1
GE HRK 02 AJ 04	R 1/8" K	7/16"-20 UNF	13	16
GE HRK 02 AJ 05	R 1/8" K	1/2"-20 UNF	13	17
GE HRK 04 AJ	R 1/4" K	7/16"-20 UNF	14	16
GE HRK 04 AJ 05	R 1/4" K	1/2"-20 UNF	14	17
GE HRK 04 AJ 06	R 1/4" K	9/16"-18 UNF	14	19
GE HRK 04 AJ 08	R 1/4" K	3/4"-16 UNF	19	22
GE HRK 06 AJ 05	R 3/8" K	1/2"-20 UNF	19	17
GE HRK 06 AJ	R 3/8" K	9/16"-18 UNF	19	19
GE HRK 06 AJ 08	R 3/8" K	3/4"-16 UNF	19	22
GE HRK 06 AJ 10	R 3/8" K	7/8"-14 UNF	22	27
GE HRK 08 AJ	R 1/2" K	3/4"-16 UNF	27	32
GE HRK 08 AJ 10	R 1/2" K	7/8"-14 UNF	22	27
GE HRK 08 AJ 12	R 1/2" K	1.1/16" -12 UN	27	32
GE HRK 12 AJ 10	R 3/4" K	7/8"-14 UNF	27	27
GE HRK 12 AJ	R 3/4" K	1.1/16" -12 UN	27	32
GE HRK 12 AJ 14	R 3/4" K	1.3/16" -12 UN	27	32
GE HRK 12 AJ 16	R 3/4" K	1.5/16" -12 UN	32	38
GE HRK 16 AJ	R 1" K	1.5/16" -12 UN	36	38
GE HRK 16 AJ 12	R 1" K	1.1/16" -12 UN	36	38
GE HRK 20 AJ	R 1.1/4" K	1.5/8" -12 UN	46	50
GE HRK 24 AJ	R 1.1/2" K	1.7/8" -12 UN	54	55

SW, S1, S2 = With across flats