

GE HRK HB VA

Screw-in sockets

Properties

Connection 1 BSPT conical external threads

Sealing form 1 thread seal

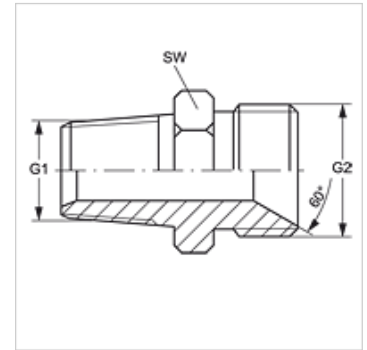
Connection 2 BSP cylindrical external threads

Sealing form 2 60° inner cone

Design Screw-in sockets

Construction straight

Material Stainless steel



Item

| Identification | G1 | G2 | AF (mm) |
|--------------------|------------|--------------|------------|
| GE HRK 02 HB VA | R 1/8" K | G 1/8" -28 | 11 |
| GE HRK 04 HB 02 VA | R 1/4" K | G 1/8" -28 | 17 |
| GE HRK 04 HB VA | R 1/4" K | G 1/4" -19 | 17 |
| GE HRK 04 HB 06 VA | R 1/4" K | G 3/8" -19 | 17 |
| GE HRK 06 HB VA | R 3/8" K | G 3/8" -19 | 17 |
| GE HRK 06 HB 08 VA | R 3/8" K | G 1/2" -14 | 22 |
| GE HRK 08 HB 04 VA | R 1/2" K | G 1/4" -19 | 22 |
| GE HRK 08 HB VA | R 1/2" K | G 1/2" -14 | 22 |
| GE HRK 08 HB 12 VA | R 1/2" K | G 3/4" -14 | 27 |
| GE HRK 10 HB VA | R 5/8" K | G 5/8" -14 | 27 |
| GE HRK 12 HB 08 VA | R 3/4" K | G 1/2" -14 | 27 |
| GE HRK 12 HB VA | R 3/4" K | G 3/4" -14 | 27 |
| GE HRK 16 HB VA | R 1" K | G 1" -11 | 36 |
| GE HRK 20 HB VA | R 1.1/4" K | G 1.1/4" -11 | 46 |
| GE HRK 24 HB VA | R 1.1/2" K | G 1.1/2" -11 | 50 |
| GE HRK 32 HB VA | R 2" K | G 2" -11 | 65 |

AF = Width across flats

Product versions

GE HRK HB Screw-in sockets, Steel