

GE HRK HJ VA

Screw-in sockets

HANSA FLEX

Properties

Connection 1 BSPT conical external threads

Sealing form 1 thread seal

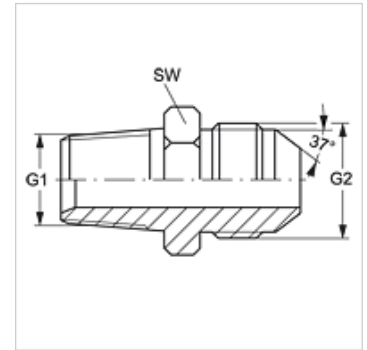
Connection 2 UN/UNF external threads

Sealing form 2 74° outer cone

Design Screw-in sockets

Construction straight

Material Stainless steel



Item

Identification	G1	G2	AF (mm)
GE HRK 02 HJ 04 VA	R 1/8" K	7/16"-20 UNF	13
GE HRK 04 HJ VA	R 1/4" K	7/16"-20 UNF	14
GE HRK 04 HJ 05 VA	R 1/4" K	1/2"-20 UNF	14
GE HRK 04 HJ 06 VA	R 1/4" K	9/16"-18 UNF	16
GE HRK 06 HJ VA	R 3/8" K	9/16"-18 UNF	19
GE HRK 06 HJ 08 VA	R 3/8" K	3/4"-16 UNF	19
GE HRK 08 HJ 06 VA	R 1/2" K	9/16"-18 UNF	22
GE HRK 08 HJ VA	R 1/2" K	3/4"-16 UNF	22
GE HRK 08 HJ 10 VA	R 1/2" K	7/8"-14 UNF	24
GE HRK 12 HJ VA	R 3/4" K	1.1/16" -12 UN	27

AF = Width across flats

Product versions

GE HRK HJ Screw-in sockets, Steel