

GE HRK HJL

Screw-in sockets

Properties

Connection 1 BSPT conical external threads

Sealing form 1 thread seal

Connection 2 metric cylindrical outer thread

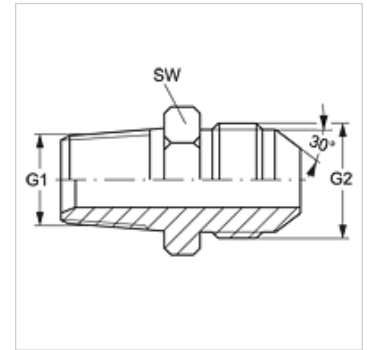
Sealing form 2 60° outer cone

Design Screw-in sockets

Construction straight

Material Steel

Surface electro galvanised



Item

Identification	G1	G2	AF (mm)
GE HRK 04 NW 06 HJL	R 1/4" K	M 14 x 1.5	19
GE HRK 06 NW 08 HJL	R 3/8" K	M 16 x 1.5	22
GE HRK 06 NW 10 HJL	R 3/8" K	M 18 x 1.5	22
GE HRK 08 NW 13 HJL	R 1/2" K	M 22 x 1.5	27
GE HRK 08 NW 16 HJL	R 1/2" K	M 24 x 1.5	27
GE HRK 12 NW 20 HJL	R 3/4" K	M 30 x 1.5	37
GE HRK 16 NW 25 HJL	R 1" K	M 33 x 1.5	41

AF = Width across flats