

# GE HRK HJOF

## Screw-in sockets

### Properties

**Connection 1** BSPT conical external threads

**Sealing form 1** thread seal

**Connection 2** ORFS external threads

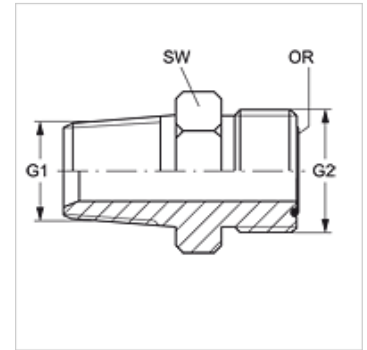
**Sealing form 2** flat seal with O-ring

**Design** Screw-in sockets

**Construction** straight

**Material** Steel

**Surface** electro galvanised



### Item

Identification	G1	G2	AF (mm)	OR
GE HRK 04 HJOF	R 1/4" K	9/16"-18 UNF	17	7.65 x 1.78
GE HRK 06 HJOF	R 3/8" K	11/16" -16 UN	19	9.25 x 1.78
GE HRK 08 HJOF	R 1/2" K	13/16" -16 UN	22	12.42 x 1.78
GE HRK 08 HJOF 10	R 1/2" K	1" -14 UNS	27	15.60 x 1.78
GE HRK 12 HJOF	R 3/4" K	1.3/16" -12 UN	32	18.77 x 1.78
GE HRK 16 HJOF	R 1" K	1.7/16" -12 UN	38	23.52 x 1.78
GE HRK 16 HJOF 12	R 1" K	1.3/16" -12 UN	36	18.77 x 1.78
GE HRK 20 HJOF	R 1.1/4" K	1.11/16" -12 UN	48	29.87 x 1.78
GE HRK 24 HJOF	R 1.1/2" K	2" -12 UN	55	37.82 x 1.78

AF = Width across flats