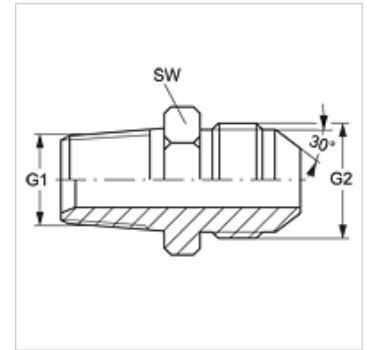


# GE HRK HJR

## Screw-in sockets

### Properties

<b>Connection 1</b>	BSPT conical external threads
<b>Sealing form 1</b>	thread seal
<b>Connection 2</b>	BSP cylindrical external threads
<b>Sealing form 2</b>	60° outer cone
<b>Design</b>	Screw-in sockets
<b>Construction</b>	straight
<b>Standard connection 2</b>	JIS B 8363
<b>Material</b>	Steel
<b>Surface</b>	electro galvanised



### Item

Identification	G1	G2	AF (mm)
GE HRK 02 HJR	R 1/8" K	G 1/8" -28	14
GE HRK 04 HJR	R 1/4" K	G 1/4" -19	19
GE HRK 06 HJR	R 3/8" K	G 3/8" -19	22
GE HRK 08 HJR	R 1/2" K	G 1/2" -14	27
GE HRK 12 HJR	R 3/4" K	G 3/4" -14	37
GE HRK 16 HJR	R 1" K	G 1" -11	41
GE HRK 20 HJR	R 1.1/4" K	G 1.1/4" -11	50
GE HRK 24 HJR	R 1.1/2" K	G 1.1/2" -11	55

AF = Width across flats