

GE HRK HN

Screw-in sockets

Properties

Connection 1 BSPT conical external threads

Sealing form 1 60° inner cone

Connection 2 NPT external threads

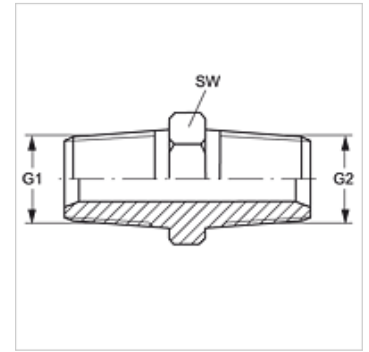
Sealing form 2 thread seal

Design Screw-in sockets

Construction straight

Material Steel

Surface electro galvanised



Item

Identification	G1	G2	AF (mm)
GE HRK 02 HN	R 1/8" K	1/8" -27 NPT	14
GE HRK 04 HN	R 1/4" K	1/4" -18 NPT	19
GE HRK 04 HN 06	R 1/4" K	3/8" -18 NPT	19
GE HRK 06 HN	R 3/8" K	3/8" -18 NPT	22
GE HRK 06 HN 04	R 3/8" K	1/4" -18 NPT	22
GE HRK 08 HN	R 1/2" K	1/2" -14 NPT	27
GE HRK 12 HN	R 3/4" K	3/4" -14 NPT	32
GE HRK 16 HN	R 1" K	1" -11.5 NPT	41
GE HRK 16 HN 12	R 1" K	3/4" -14 NPT	41
GE HRK 20 HN	R 1.1/4" K	1.1/4" -11.5 NPT	50
GE HRK 20 HN 16	R 1.1/4" K	1" -11.5 NPT	50
GE HRK 24 HN	R 1.1/2" K	1.1/2" -11.5 NPT	55
GE HRK 32 HN	R 2" K	2" -11.5 NPT	70

AF = Width across flats