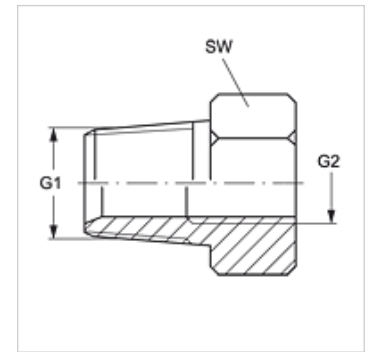


GE HRK IR

Screw-in sockets

Properties

Connection 1	BSPT conical external threads
Sealing form 1	thread seal
Connection 2	BSP cylindrical internal threads
Sealing form 2	Flat seal
Design	Screw-in sockets
Construction	straight
Material	Steel
Surface	electro galvanised



Item

Identification	G1	G2	AF (mm)
GE HRK 02 IR 04	R 1/8" K	G 1/4" -19	19
GE HRK 02 IR 06	R 1/8" K	G 3/8" -19	22
GE HRK 02 IR 08	R 1/8" K	G 1/2" -14	27
GE HRK 04 IR 02	R 1/4" K	G 1/8" -28	14
GE HRK 04 IR	R 1/4" K	G 1/4" -19	19
GE HRK 04 IR 06	R 1/4" K	G 3/8" -19	22
GE HRK 04 IR 08	R 1/4" K	G 1/2" -14	27
GE HRK 06 IR 02	R 3/8" K	G 1/8" -28	19
GE HRK 06 IR 04	R 3/8" K	G 1/4" -19	19
GE HRK 06 IR	R 3/8" K	G 3/8" -19	22
GE HRK 06 IR 08	R 3/8" K	G 1/2" -14	27
GE HRK 08 IR 04	R 1/2" K	G 1/4" -19	22
GE HRK 08 IR 06	R 1/2" K	G 3/8" -19	22
GE HRK 08 IR	R 1/2" K	G 1/2" -14	27
GE HRK 08 IR 12	R 1/2" K	G 3/4" -14	36
GE HRK 08 IR 16	R 1/2" K	G 1" -11	41
GE HRK 12 IR 04	R 3/4" K	G 1/4" -19	27
GE HRK 12 IR 06	R 3/4" K	G 3/8" -19	27
GE HRK 12 IR 08	R 3/4" K	G 1/2" -14	27
GE HRK 12 IR	R 3/4" K	G 3/4" -14	32
GE HRK 12 IR 16	R 3/4" K	G 1" -11	41
GE HRK 16 IR 08	R 1" K	G 1/2" -14	36
GE HRK 16 IR 12	R 1" K	G 3/4" -14	36
GE HRK 16 IR	R 1" K	G 1" -11	41
GE HRK 16 IR 20	R 1" K	G 1.1/4" -11	50
GE HRK 20 IR 08	R 1.1/4" K	G 1/2" -14	50
GE HRK 20 IR 12	R 1.1/4" K	G 3/4" -14	50
GE HRK 20 IR 16	R 1.1/4" K	G 1" -11	50
GE HRK 20 IR 24	R 1.1/4" K	G 1.1/2" -11	55
GE HRK 24 IR 16	R 1.1/2" K	G 1" -11	55
GE HRK 24 IR 20	R 1.1/2" K	G 1.1/4" -11	55
GE HRK 24 IR 32	R 1.1/2" K	G 2" -11	70
GE HRK 32 IR 20	R 2" K	G 1.1/4" -11	70
GE HRK 32 IR 24	R 2" K	G 1.1/2" -11	70

AF = Width across flats