

GE HRO AOB

Screw-in sockets

Properties

Connection 1 BSP external thread, cylindrical

Sealing form 1 form G

Connection 2 BSP nut thread

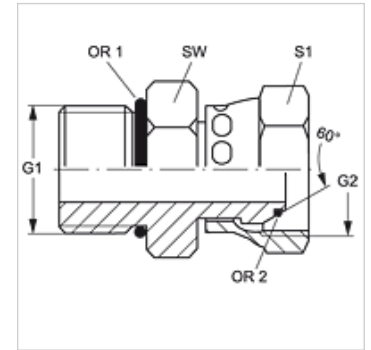
Sealing form 2 60° outer cone with O-ring

Design Screw-in sockets

Construction straight

Material Steel

Surface electro galvanised



Item

Identification	G1 + G2	AF (mm)	S1	OR1	OR2
GE HRO 04 AOB	G 1/4" -19	20	17	10.77 x 2.62	6.0 x 1.0
GE HRO 06 AOB	G 3/8" -19	24	22	13.94 x 2.62	8.1 x 1.6
GE HRO 08 AOB	G 1/2" -14	28	27	17.86 x 2.62	12.1 x 1.6
GE HRO 12 AOB	G 3/4" -14	35	32	23.47 x 2.62	17.1 x 1.6
GE HRO 16 AOB	G 1" -11	43	41	29.75 x 3.53	22.1 x 1.6
GE HRO 20 AOB	G 1.1/4" -11	52	50	37.69 x 3.53	29.1 x 1.6
GE HRO 24 AOB	G 1.1/2" -11	58	60	44.04 x 3.53	35.1 x 1.6

SW, S1, S2 = With across flats