

GE HRO HJ

Screw-in sockets

Properties

Connection 1 BSP external thread, cylindrical

Sealing form 1 form G

Connection 2 UN/UNF external threads

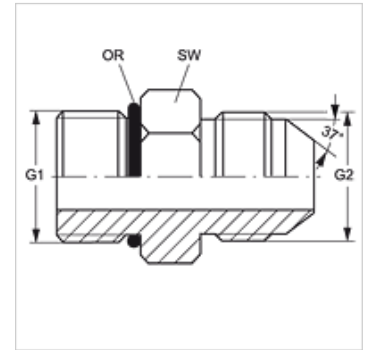
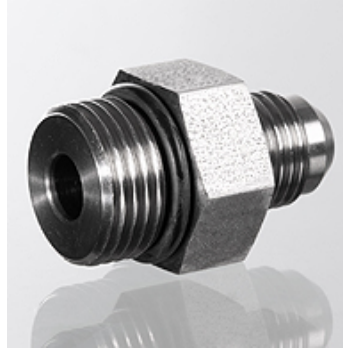
Sealing form 2 74° outer cone

Design Screw-in sockets

Construction straight

Material Steel

Surface electro galvanised



Item

Identification	G1	G2	AF (mm)	OR
GE HRO 02 HJ 04	G 1/8" -28	7/16"-20 UNF	16	7.65 x 1.78
GE HRO 02 HJ 05	G 1/8" -28	1/2"-20 UNF	16	7.65 x 1.78
GE HRO 04 HJ	G 1/4" -19	7/16"-20 UNF	19	10.78 x 2.62
GE HRO 04 HJ 05	G 1/4" -19	1/2"-20 UNF	19	10.78 x 2.62
GE HRO 04 HJ 06	G 1/4" -19	9/16"-18 UNF	19	10.78 x 2.62
GE HRO 04 HJ 08	G 1/4" -19	3/4"-16 UNF	19	10.78 x 2.62
GE HRO 06 HJ 04	G 3/8" -19	7/16"-20 UNF	24	13.94 x 2.62
GE HRO 06 HJ 05	G 3/8" -19	1/2"-20 UNF	24	13.94 x 2.62
GE HRO 06 HJ	G 3/8" -19	9/16"-18 UNF	24	13.94 x 2.62
GE HRO 06 HJ 08	G 3/8" -19	3/4"-16 UNF	24	13.94 x 2.62
GE HRO 06 HJ 10	G 3/8" -19	7/8"-14 UNF	24	13.94 x 2.62
GE HRO 08 HJ 04	G 1/2" -14	7/16"-20 UNF	28	17.86 x 2.62
GE HRO 08 HJ 06	G 1/2" -14	9/16"-18 UNF	28	17.86 x 2.62
GE HRO 08 HJ	G 1/2" -14	3/4"-16 UNF	28	17.86 x 2.62
GE HRO 08 HJ 10	G 1/2" -14	7/8"-14 UNF	28	17.86 x 2.62
GE HRO 08 HJ 12	G 1/2" -14	1.1/16" -12 UN	28	17.86 x 2.62
GE HRO 12 HJ 08	G 3/4" -14	3/4"-16 UNF	35	23.47 x 2.62
GE HRO 12 HJ	G 3/4" -14	1.1/16" -12 UN	35	23.47 x 2.62
GE HRO 12 HJ 14	G 3/4" -14	1.3/16" -12 UN	35	23.47 x 2.62
GE HRO 12 HJ 16	G 3/4" -14	1.5/16" -12 UN	35	23.47 x 2.62
GE HRO 16 HJ 12	G 1" -11	1.1/16" -12 UN	43	29.74 x 3.53
GE HRO 16 HJ	G 1" -11	1.5/16" -12 UN	43	29.74 x 3.53
GE HRO 16 HJ 20	G 1" -11	1.5/8" -12 UN	43	29.74 x 3.53
GE HRO 20 HJ 16	G 1.1/4" -11	1.5/16" -12 UN	52	37.69 x 3.53
GE HRO 20 HJ	G 1.1/4" -11	1.5/8" -12 UN	52	37.69 x 3.53
GE HRO 20 HJ 24	G 1.1/4" -11	1.7/8" -12 UN	52	37.69 x 3.53
GE HRO 24 HJ	G 1.1/2" -11	1.7/8" -12 UN	58	44.04 x 3.53

AF = Width across flats