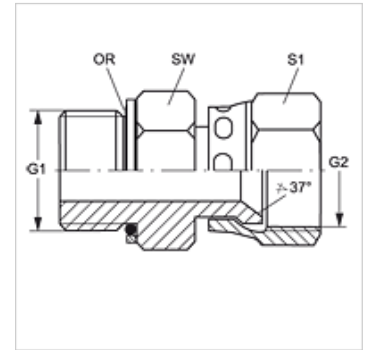


GE HROK AJ

Screw-in sockets

Properties

Connection 1	BSP external thread, cylindrical
Sealing form 1	Thread socket with O-ring + spacer diaphragm ring
Connection 2	UN/UNF nut threads
Sealing form 2	74° inner cone
Design	Screw-in sockets
Construction	straight
Material	Steel
Surface	electro galvanised



Item

Identification	Operating pressure	G1	G2	AF (mm)	S1	OR
GE HROK 02 AJ 04	PN 315	G 1/8" -28	7/16"-20 UNF	16	14	7.97 x 1.88
GE HROK 02 AJ 05	PN 315	G 1/8" -28	1/2"-20 UNF	16	17	7.97 x 1.88
GE HROK 04 AJ	PN 315	G 1/4" -19	7/16"-20 UNF	19	14	10.77 x 2.62
GE HROK 04 AJ 05	PN 315	G 1/4" -19	1/2"-20 UNF	19	17	10.77 x 2.62
GE HROK 04 AJ 06	PN 250	G 1/4" -19	9/16"-18 UNF	19	19	10.77 x 2.62
GE HROK 04 AJ 08	PN 250	G 1/4" -19	3/4"-16 UNF	19	22	10.77 x 2.62
GE HROK 06 AJ 04	PN 315	G 3/8" -19	7/16"-20 UNF	22	14	13.94 x 2.62
GE HROK 06 AJ 05	PN 315	G 3/8" -19	1/2"-20 UNF	22	17	13.94 x 2.62
GE HROK 06 AJ	PN 250	G 3/8" -19	9/16"-18 UNF	22	19	13.94 x 2.62
GE HROK 06 AJ 08	PN 250	G 3/8" -19	3/4"-16 UNF	22	22	13.94 x 2.62
GE HROK 06 AJ 10	PN 200	G 3/8" -19	7/8"-14 UNF	22	27	13.94 x 2.62
GE HROK 08 AJ 06	PN 250	G 1/2" -14	9/16"-18 UNF	30	19	17.86 x 2.62
GE HROK 08 AJ	PN 250	G 1/2" -14	3/4"-16 UNF	30	22	17.86 x 2.62
GE HROK 08 AJ 10	PN 200	G 1/2" -14	7/8"-14 UNF	30	27	17.86 x 2.62
GE HROK 08 AJ 12	PN 200	G 1/2" -14	1.1/16" -12 UN	30	32	17.86 x 2.62
GE HROK 12 AJ 10	PN 200	G 3/4" -14	7/8"-14 UNF	36	27	23.47 x 2.62
GE HROK 12 AJ	PN 200	G 3/4" -14	1.1/16" -12 UN	36	32	23.47 x 2.62
GE HROK 12 AJ 16	PN 160	G 3/4" -14	1.5/16" -12 UN	36	41	23.47 x 2.62
GE HROK 16 AJ 12	PN 200	G 1" -11	1.1/16" -12 UN	46	32	29.74 x 3.53
GE HROK 16 AJ	PN 160	G 1" -11	1.5/16" -12 UN	46	41	29.74 x 3.53
GE HROK 16 AJ 20	PN 125	G 1" -11	1.5/8" -12 UN	46	50	29.74 x 3.53
GE HROK 20 AJ 16	PN 160	G 1.1/4" -11	1.5/16" -12 UN	50	41	37.69 x 3.53
GE HROK 20 AJ	PN 125	G 1.1/4" -11	1.5/8" -12 UN	50	50	37.69 x 3.53
GE HROK 20 AJ 24	PN 100	G 1.1/4" -11	1.7/8" -12 UN	50	60	37.69 x 3.53
GE HROK 24 AJ	PN 100	G 1.1/2" -11	1.7/8" -12 UN	55	60	44.04 x 3.53

SW, S1, S2 = With across flats

Spare parts

KAMMRING G	Spacer diaphragm ring, imperial
-------------------	---------------------------------