

GE M HJOF

Screw-in sockets

Properties

Connection 1 metric cylindrical outer thread

Sealing form 1 Shape A

Connection 2 ORFS external threads

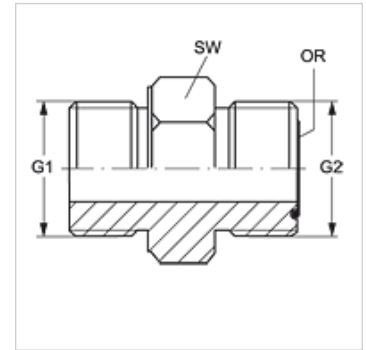
Sealing form 2 flat seal with O-ring

Design Screw-in sockets

Construction straight

Material Steel

Surface electro galvanised



Item

Identification	G1	G2	AF (mm)	OR
GE M12 HJOF 04	M 12 x 1.5	9/16"-18 UNF	17	7.65 x 1.78
GE M16 HJOF 06	M 16 x 1.5	11/16" -16 UN	22	9.25 x 1.78
GE M27 HJOF 12	M 27 x 2	1.3/16" -12 UN	32	18.77 x 1.78

AF = Width across flats