

GE O HJOF VA

Screw-in sockets

HANSA FLEX

Properties

Connection 1 UN/UNF external threads

Sealing form 1 O-ring seal on screw-in socket

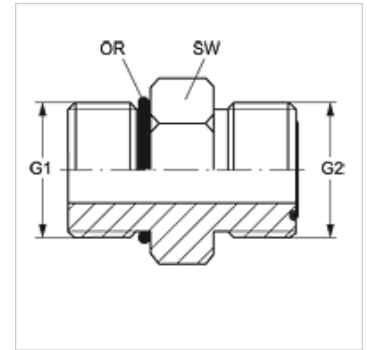
Connection 2 ORFS external threads

Sealing form 2 flat seal with O-ring

Design Screw-in sockets

Construction straight

Material Stainless steel



Ordering information

Seals of NBR

FPM (Viton) on request

Item

Identification	G1	G2	AF (mm)	OR1	OR2
GE O 04 HJOF 06 VA	7/16"-20 UNF	11/16" -16 UN	19	8.92 x 1.83	9.25 x 1.78
GE O 06 HJOF VA	9/16"-18 UNF	11/16" -16 UN	19	11.89 x 1.98	9.25 x 1.78
GE O 08 HJOF 06 VA	3/4"-16 UNF	11/16" -16 UN	22	16.36 x 2.21	9.25 x 1.78
GE O 10 HJOF VA	7/8" -14 UNF	1" -14 UNS	27	19.18 x 2.46	15.60 x 1.78
GE O 12 HJOF VA	1.1/16" -12 UN	1.3/16" -12 UN	32	23.47 x 2.95	18.77 x 1.78
GE O 20 HJOF VA	1.5/8" -12 UN	1.11/16" -12 UN	46	37.47 x 3.00	29.87 x 1.78
GE O 16 HJOF VA	1.5/16" -12 UN	1.7/16" -12 UN	38	29.74 x 2.95	23.52 x 1.78
GE O 24 HJOF VA	1.7/8" -12 UN	2" -12 UN	55	43.69 x 3.00	37.82 x 1.78

AF = Width across flats

Product versions

GE O HJOF Screw-in sockets, Steel