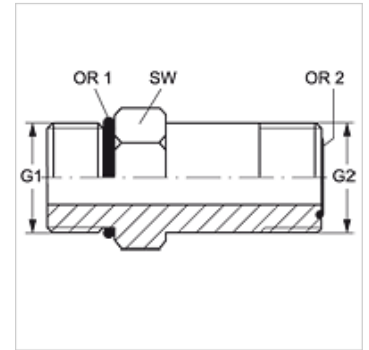


GE O L HJOF

Screw-in socket, long

Properties

Connection 1	UN/UNF external threads
Sealing form 1	O-ring seal on screw-in socket
Connection 2	ORFS external threads
Sealing form 2	flat seal with O-ring
Design	Screw-in socket, long
Construction	straight
Material	Steel
Surface	electro galvanised



Item

Identification	G1	G2	AF (mm)	OR1	OR2
GE O L 04 HJOF	7/16"-20 UNF	9/16"-18 UNF	16	8.92 x 1.83	7.65 x 1.78
GE O L 06 HJOF	9/16"-18 UNF	11/16" -16 UN	19	11.89 x 1.98	9.25 x 1.78
GE O L 08 HJOF	3/4"-16 UNF	13/16" -16 UN	22	16.36 x 2.21	12.42 x 1.78
GE O L 10 HJOF	7/8" -14 UNF	1" -14 UNS	27	19.18 x 2.46	15.60 x 1.78
GE O L 12 HJOF	1.1/16" -12 UN	1.3/16" -12 UN	33	23.47 x 2.95	18.77 x 1.78
GE O L 16 HJOF	1.5/16" -12 UN	1.7/16" -12 UN	41	29.74 x 2.95	23.52 x 1.78
GE O L 20 HJOF	1.5/8" -12 UN	1.11/16" -12 UN	48	37.47 x 3.00	29.87 x 1.78
GE O L 24 HJOF	1.7/8" -12 UN	2" -12 UN	54	43.69 x 3.00	37.82 x 1.78

AF = Width across flats