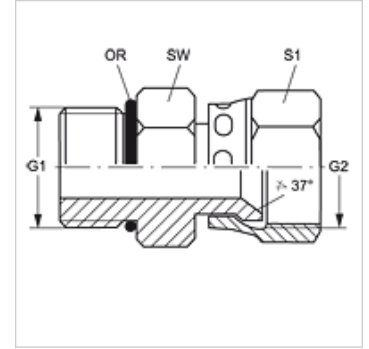


# GE O AJ

## Screw-in sockets

### Properties

<b>Connection 1</b>	UN/UNF external threads
<b>Sealing form 1</b>	O-ring seal on screw-in socket
<b>Connection 2</b>	UN/UNF nut threads
<b>Sealing form 2</b>	74° inner cone
<b>Design</b>	Screw-in sockets
<b>Construction</b>	straight
<b>Material</b>	Steel
<b>Surface</b>	electro galvanised



Item					
Identification	G1	G2	AF (mm)	S1	OR
GE O 04 AJ	7/16"-20 UNF	7/16"-20 UNF	14	16	8.92 x 1.83
GE O 05 AJ 04	1/2"-20 UNF	7/16"-20 UNF	17	16	10.52 x 1.83
GE O 05 AJ	1/2"-20 UNF	1/2"-20 UNF	17	17	10.52 x 1.83
GE O 06 AJ 04	9/16"-18 UNF	7/16"-20 UNF	17	16	11.90 x 1.98
GE O 06 AJ	9/16"-18 UNF	9/16"-18 UNF	17	19	11.90 x 1.98
GE O 06 AJ 08	9/16"-18 UNF	3/4"-16 UNF	17	22	10.89 x 1.98
GE O 08 AJ 06	3/4"-16 UNF	9/16"-18 UNF	22	19	16.36 x 2.20
GE O 08 AJ	3/4"-16 UNF	3/4"-16 UNF	22	22	16.36 x 2.20
GE O 08 AJ 10	3/4"-16 UNF	7/8"-14 UNF	22	27	16.36 x 2.20
GE O 08 AJ 12	3/4"-16 UNF	1.1/16" -12 UN	22	32	16.36 x 2.20
GE O 10 AJ 08	7/8" -14 UNF	3/4"-16 UNF	27	22	19.18 x 2.46
GE O 10 AJ	7/8" -14 UNF	7/8"-14 UNF	27	27	19.18 x 2.46
GE O 10 AJ 12	7/8" -14 UNF	1.1/16" -12 UN	27	32	19.18 x 2.46
GE O 12 AJ 08	1.1/16" -12 UN	3/4"-16 UNF	32	22	23.47 x 2.95
GE O 12 AJ 10	1.1/16" -12 UN	7/8"-14 UNF	32	27	23.47 x 2.95
GE O 12 AJ	1.1/16" -12 UN	1.1/16" -12 UN	32	32	23.47 x 2.95
GE O 12 AJ 16	1.1/16" -12 UN	1.5/16" -12 UN	32	38	23.47 x 2.95
GE O 14 AJ	1.3/16" -12 UN	1.3/16" -12 UN	41	36	26.59 x 2.95
GE O 16 AJ 12	1.5/16" -12 UN	1.1/16" -12 UN	41	32	29.74 x 2.95
GE O 16 AJ	1.5/16" -12 UN	1.5/16" -12 UN	41	38	29.74 x 2.95
GE O 20 AJ 16	1.5/8" -12 UN	1.5/16" -12 UN	50	38	37.47 x 3.00
GE O 20 AJ	1.5/8" -12 UN	1.5/8" -12 UN	50	50	37.47 x 3.00
GE O 24 AJ	1.7/8" -12 UN	1.7/8" -12 UN	54	60	43.69 x 3.00

SW, S1, S2 = With across flats