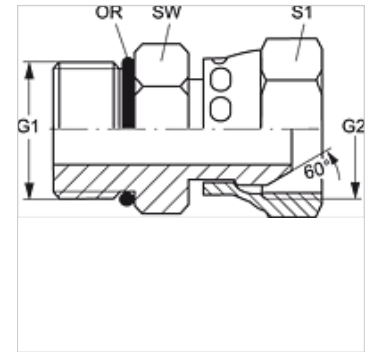


GE O AN

Screw-in sockets

Properties

Connection 1	UN/UNF external threads
Sealing form 1	O-ring seal on screw-in socket
Connection 2	NPSM nut thread
Sealing form 2	60° outer cone
Design	Screw-in sockets
Construction	straight
Material	Steel
Surface	electro galvanised



Item

Identification	G1	G2	AF (mm)	S1	OR
GE O 04 AN	7/16"-20 UNF	1/4" -18 NPT	14	18	8.92 x 1.83
GE O 06 AN	9/16"-18 UNF	3/8" -18 NPT	18	22	11.90 x 1.98
GE O 06 AN 08	9/16"-18 UNF	1/2" -14 NPT	19	25	11.90 x 1.98
GE O 08 AN	3/4"-16 UNF	1/2" -14 NPT	22	25	16.36 x 2.20
GE O 08 AN 12	3/4"-16 UNF	3/4" -14 NPT	25	32	16.36 x 2.20
GE O 10 AN 06	7/8" -14 UNF	3/8" -18 NPT	22	25	19.18 x 2.46
GE O 10 AN 08	7/8" -14 UNF	1/2" -14 NPT	25	25	19.18 x 2.46
GE O 12 AN 08	1.1/16" -12 UN	1/2" -14 NPT	32	25	23.47 x 2.95
GE O 12 AN	1.1/16" -12 UN	3/4" -14 NPT	32	32	23.47 x 2.95
GE O 16 AN	1.5/16" -12 UN	1" -11.5 NPT	38	38	29.74 x 2.95

SW, S1, S2 = With across flats