

GE O HJ VA

Screw-in sockets

Properties

Connection 1 UN/UNF external threads

Sealing form 1 O-ring seal on screw-in socket

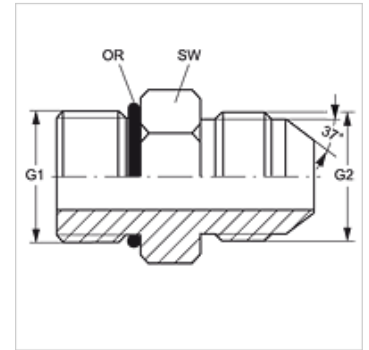
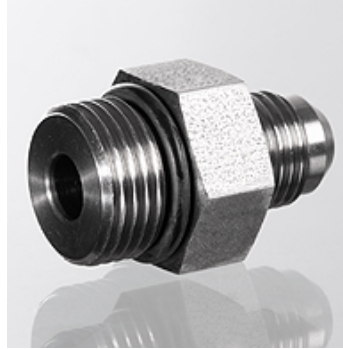
Connection 2 UN/UNF external threads

Sealing form 2 74° outer cone

Design Screw-in sockets

Construction straight

Material Stainless steel



Ordering information

Seals of NBR

FPM (Viton) on request

Item

Identification	G1	G2	AF (mm)	OR
GE O 04 HJ VA	7/16"-20 UNF	7/16"-20 UNF	14	8.92 x 1.83
GE O 04 HJ 06 VA	7/16"-20 UNF	9/16"-18 UNF	16	8.92 x 1.83
GE O 05 HJ 04 VA	1/2"-20 UNF	7/16"-20 UNF	16	10.52 x 1.83
GE O 05 HJ VA	1/2"-20 UNF	1/2"-20 UNF	16	10.52 x 1.83
GE O 05 HJ 06 VA	1/2"-20 UNF	9/16"-18 UNF	16	10.52 x 1.83
GE O 06 HJ 04 VA	9/16"-18 UNF	7/16"-20 UNF	17	11.90 x 1.98
GE O 06 HJ 08 VA	9/16"-18 UNF	3/4"-16 UNF	19	11.90 x 1.98
GE O 08 HJ 06 VA	3/4"-16 UNF	9/16"-18 UNF	22	16.36 x 2.20
GE O 08 HJ VA	3/4"-16 UNF	3/4"-16 UNF	22	16.36 x 2.20
GE O 08 HJ 12 VA	3/4"-16 UNF	1.1/16" -12 UN	29	16.36 x 2.20
GE O 10 HJ 08 VA	7/8" -14 UNF	3/4"-16 UNF	27	19.18 x 2.46
GE O 10 HJ VA	7/8" -14 UNF	7/8"-14 UNF	27	19.18 x 2.46
GE O 12 HJ 08 VA	1.1/16" -12 UN	3/4"-16 UNF	32	23.47 x 2.95
GE O 12 HJ VA	1.1/16" -12 UN	1.1/16" -12 UN	32	23.47 x 2.95
GE O 12 HJ 16 VA	1.1/16" -12 UN	1.5/16" -12 UN	36	23.47 x 2.95
GE O 16 HJ VA	1.5/16" -12 UN	1.5/16" -12 UN	38	29.74 x 2.95
GE O 16 HJ 20 VA	1.5/16" -12 UN	1.5/8" -12 UN	43	29.74 x 2.95
GE O 20 HJ VA	1.5/8" -12 UN	1.5/8" -12 UN	50	37.47 x 3.00
GE O 24 HJ VA	1.7/8" -12 UN	1.7/8" -12 UN	55	43.69 x 3.00

AF = Width across flats

Product versions

GE O HJ Screw-in sockets, Steel