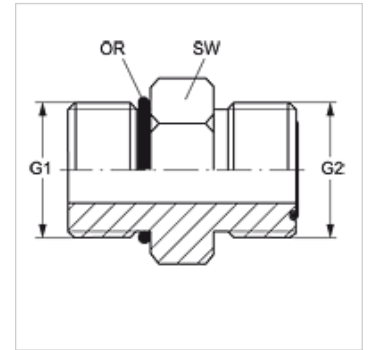


GE O HJOF

Screw-in sockets

Properties

Connection 1	UN/UNF external threads
Sealing form 1	O-ring seal on screw-in socket
Connection 2	ORFS external threads
Sealing form 2	flat seal with O-ring
Design	Screw-in sockets
Construction	straight
Material	Steel
Surface	electro galvanised



Item

Identification	G1	G2	AF (mm)	OR1	OR2
GE O 04 HJOF	7/16"-20 UNF	9/16"-18 UNF	17	8.92 x 1.83	7.65 x 1.78
GE O 04 HJOF 06	7/16"-20 UNF	11/16" -16 UN	19	8.92 x 1.83	9.25 x 1.78
GE O 05 HJOF 04	1/2"-20 UNF	9/16"-18 UNF	19	10.52 x 1.83	7.65 x 1.78
GE O 05 HJOF 06	1/2"-20 UNF	11/16" -16 UN	19	10.52 x 1.83	9.25 x 1.78
GE O 06 HJOF 04	9/16"-18 UNF	9/16"-18 UNF	19	11.89 x 1.98	7.65 x 1.78
GE O 06 HJOF	9/16"-18 UNF	11/16" -16 UN	19	11.89 x 1.98	9.25 x 1.78
GE O 06 HJOF 08	9/16"-18 UNF	13/16" -16 UN	22	11.89 x 1.98	12.42 x 1.78
GE O 08 HJOF 04	3/4"-16 UNF	9/16"-18 UNF	22	16.36 x 2.21	7.65 x 1.78
GE O 08 HJOF 06	3/4"-16 UNF	11/16" -16 UN	22	16.36 x 2.21	9.25 x 1.78
GE O 08 HJOF	3/4"-16 UNF	13/16" -16 UN	22	16.36 x 2.21	12.42 x 1.78
GE O 08 HJOF 10	3/4"-16 UNF	1" -14 UNS	27	16.36 x 2.21	15.60 x 1.78
GE O 08 HJOF 12	3/4"-16 UNF	1.3/16" -12 UN	32	16.36 x 2.21	18.77 x 1.78
GE O 10 HJOF 06	7/8" -14 UNF	11/16" -16 UN	27	19.18 x 2.46	9.25 x 1.78
GE O 10 HJOF 08	7/8" -14 UNF	13/16" -16 UN	27	19.18 x 2.46	12.42 x 1.78
GE O 10 HJOF	7/8" -14 UNF	1" -14 UNS	27	19.18 x 2.46	15.60 x 1.78
GE O 10 HJOF 12	7/8" -14 UNF	1.3/16" -12 UN	32	19.18 x 2.46	18.77 x 1.78
GE O 12 HJOF 08	1.1/16" -12 UN	13/16" -16 UN	32	23.47 x 2.95	12.42 x 1.78
GE O 12 HJOF 10	1.1/16" -12 UN	1" -14 UNS	32	23.47 x 2.95	15.60 x 1.78
GE O 12 HJOF	1.1/16" -12 UN	1.3/16" -12 UN	32	23.47 x 2.95	18.77 x 1.78
GE O 12 HJOF 16	1.1/16" -12 UN	1.7/16" -12 UN	38	23.47 x 2.95	23.52 x 1.78
GE O 16 HJOF 12	1.5/16" -12 UN	1.3/16" -12 UN	38	29.74 x 2.95	18.77 x 1.78
GE O 16 HJOF	1.5/16" -12 UN	1.7/16" -12 UN	38	29.74 x 2.95	23.52 x 1.78
GE O 16 HJOF 20	1.5/16" -12 UN	1.11/16" -12 UN	46	29.74 x 2.95	29.87 x 1.78
GE O 20 HJOF 16	1.5/8" -12 UN	1.7/16" -12 UN	46	37.47 x 3.00	23.52 x 1.78
GE O 20 HJOF	1.5/8" -12 UN	1.11/16" -12 UN	46	37.47 x 3.00	29.87 x 1.78
GE O 20 HJOF 24	1.5/8" -12 UN	2" -12 UN	55	37.47 x 3.00	37.82 x 1.78
GE O 24 HJOF 20	1.7/8" -12 UN	1.11/16" -12 UN	54	43.69 x 3.00	29.87 x 1.78
GE O 24 HJOF	1.7/8" -12 UN	2" -12 UN	55	43.69 x 3.00	37.82 x 1.78
GE O 32 HJOF	2.1/2" -12 UN	2.1/2" -12 UN	70	59.36 x 3.00	48.90 x 2.62

AF = Width across flats

Product versions

GE O HJOF VA	Screw-in sockets, Stainless steel
---------------------	-----------------------------------