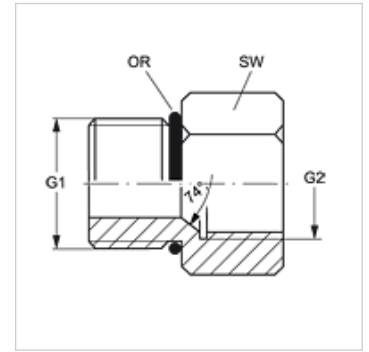


GE O IJ

Screw-in sockets

Properties

Connection 1	UN/UNF external threads
Sealing form 1	O-ring seal on screw-in socket
Connection 2	UN/UNF inner thread
Sealing form 2	74° inner cone
Design	Screw-in sockets
Construction	straight
Material	Steel
Surface	electro galvanised



Item

Identification	G1	G2	AF (mm)	OR
GE O 06 IJ 08	9/16"-18 UNF	3/4"-16 UNF	27	11.90 x 1.98
GE O 10 IJ 08	7/8" -14 UNF	3/4"-16 UNF	25	19.18 x 2.46
GE O 10 IJ 12	7/8" -14 UNF	1.1/16" -12 UN	35	19.18 x 2.46
GE O 12 IJ 08	1.1/16" -12 UN	3/4"-16 UNF	32	23.47 x 2.95
GE O 12 IJ 10	1.1/16" -12 UN	7/8"-14 UNF	32	23.47 x 2.95
GE O 16 IJ 12	1.5/16" -12 UN	1.1/16" -12 UN	38	29.74 x 2.95

AF = Width across flats