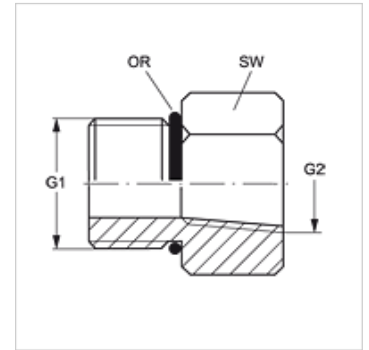


GE O IN

Screw-on fitting

Properties

Connection 1	UN/UNF external threads
Sealing form 1	O-ring seal on screw-in socket
Connection 2	NPT internal thread
Sealing form 2	thread seal
Design	Screw-on fitting
Construction	straight
Material	Steel
Surface	electro galvanised



Item

Identification	G1	G2	AF (mm)	OR
GE O 06 IN 04	9/16"-18 UNF	1/4" -18 NPT	19	11.90 x 1.98
GE O 08 IN 04	3/4"-16 UNF	1/4" -18 NPT	22	16.36 x 2.20
GE O 08 IN 06	3/4"-16 UNF	3/8" -18 NPT	22	16.36 x 2.20
GE O 08 IN	3/4"-16 UNF	1/2" -14 NPT	29	16.36 x 2.20
GE O 10 IN 04	7/8" -14 UNF	1/4" -18 NPT	25	19.18 x 2.46
GE O 10 IN 06	7/8" -14 UNF	3/8" -18 NPT	25	19.18 x 2.46
GE O 10 IN 08	7/8" -14 UNF	1/2" -14 NPT	29	19.18 x 2.46
GE O 12 IN 08	1.1/16" -12 UN	1/2" -14 NPT	32	23.47 x 2.95
GE O 12 IN	1.1/16" -12 UN	3/4" -14 NPT	35	23.47 x 2.95

AF = Width across flats