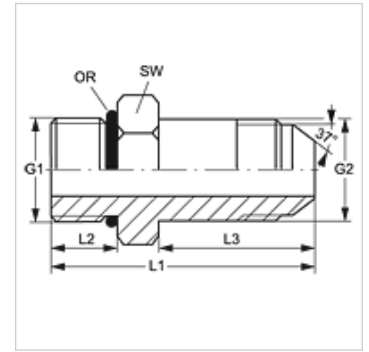


# GE O L HJ

## Screw-in socket, long

### Properties

<b>Connection 1</b>	UN/UNF external threads
<b>Sealing form 1</b>	O-ring seal on screw-in socket
<b>Connection 2</b>	UN/UNF external threads
<b>Sealing form 2</b>	74° outer cone
<b>Design</b>	Screw-in socket, long
<b>Construction</b>	straight
<b>Material</b>	Steel
<b>Surface</b>	electro galvanised



Item							
Identification	G1	G2	L1 (mm)	L2 (mm)	L3 (mm)	AF (mm)	OR
GE O L 04 HJ	7/16"-20 UNF	7/16"-20 UNF	52,8	9,5	35	17	8.92 x 1.83
GE O L 05 HJ 04	1/2"-20 UNF	7/16"-20 UNF	52,5	9,5	35	19	10.52 x 1.83
GE O L 05 HJ	1/2"-20 UNF	1/2"-20 UNF	54,5	9,5	37	19	10.52 x 1.83
GE O L 06 HJ 04	9/16"-18 UNF	7/16"-20 UNF	54,5	10,0	35	21	11.90 x 1.98
GE O L 06 HJ	9/16"-18 UNF	9/16"-18 UNF	58,5	10,0	39	21	11.90 x 1.98
GE O L 08 HJ 06	3/4"-16 UNF	9/16"-18 UNF	60,0	9,5	39	26	16.36 x 2.20
GE O L 08 HJ	3/4"-16 UNF	3/4"-16 UNF	68,5	10,0	48	26	16.36 x 2.20
GE O L 08 HJ 10	3/4"-16 UNF	7/8"-14 UNF	74,5	13,0	53	36	16.36 x 2.20
GE O L 08 HJ 12	3/4"-16 UNF	1.1/16" -12 UN	86,5	13,0	63	36	16.36 x 2.20
GE O L 10 HJ 08	7/8" -14 UNF	3/4"-16 UNF	71,5	11,5	48	30	19.18 x 2.46
GE O L 10 HJ	7/8" -14 UNF	7/8"-14 UNF	77,0	15,5	53	30	19.18 x 2.46
GE O L 10 HJ 12	7/8" -14 UNF	1.1/16" -12 UN	88,0	15,5	63	36	19.18 x 2.46
GE O L 12 HJ 08	1.1/16" -12 UN	3/4"-16 UNF	76,0	11,5	48	36	23.47 x 2.95
GE O L 12 HJ 10	1.1/16" -12 UN	7/8"-14 UNF	81,5	11,5	53	36	23.47 x 2.95
GE O L 12 HJ	1.1/16" -12 UN	1.1/16" -12 UN	91,5	11,5	63	36	23.47 x 2.95
GE O L 12 HJ 16	1.1/16" -12 UN	1.5/16" -12 UN	100,0	15,5	72	45	23.47 x 2.95
GE O L 14 HJ	1.3/16" -12 UN	1.3/16" -12 UN	96,5	15,5	68	40	26.59 x 2.95
GE O L 16 HJ 12	1.5/16" -12 UN	1.1/16" -12 UN	92,5	13,0	63	45	29.74 x 2.95
GE O L 16 HJ	1.5/16" -12 UN	1.5/16" -12 UN	101,0	15,5	72	45	29.74 x 2.95
GE O L 20 HJ 16	1.5/8" -12 UN	1.5/16" -12 UN	102,0	15,5	72	55	37.47 x 3.00
GE O L 20 HJ	1.5/8" -12 UN	1.5/8" -12 UN	119,0	15,5	88	55	37.47 x 3.00
GE O L 24 HJ	1.7/8" -12 UN	1.7/8" -12 UN	131,0	15,5	98	62	43.69 x 3.00

AF = Width across flats