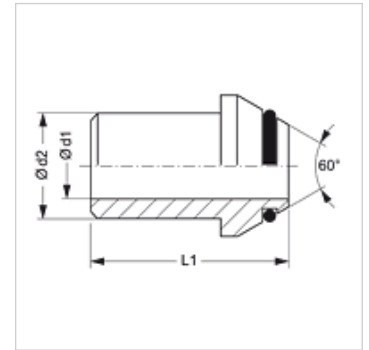


# SA DKOR

## Welded on sealing cone

### Properties

<b>Connection 1</b>	Welded on socket
<b>Connection 2</b>	60° sealing head with O-ring
<b>Design</b>	Welded on sealing cone
<b>Construction</b>	straight
<b>Material</b>	Steel
<b>Surface</b>	phosphate treated and oiled (Znphr5f)



### Note

Information about fitting, installation, pressure loads and permissible operating temperatures can be found in the technical information for pipe fittings.

### Item

Identification	Ø d1 (mm)	Ø d2 (mm)	L1 (mm)	L2 (mm)	OR
SA NW 06 DKOR 1.5	3,0	6	30	27	6.5 x 1.5
SA NW 10 DKOR 1.75	6,5	10	31	28	8.1 x 1.6
SA NW 13 DKOR 2	8,0	12	34	31	12.1 x 1.6
SA NW 16 DKOR 2.5	11,0	16	34	32	13.1 x 1.6
SA NW 20 DKOR 3	14,0	20	35	32	17.1 x 1.6
SA NW 25 DKOR 3.5	18,0	25	37	33	22.1 x 1.6
SA NW 32 DKOR 4	24,0	32	45	40	29.1 x 1.6
SA NW 40 DKOR 4	30,0	38	47	42	35.1 x 1.6