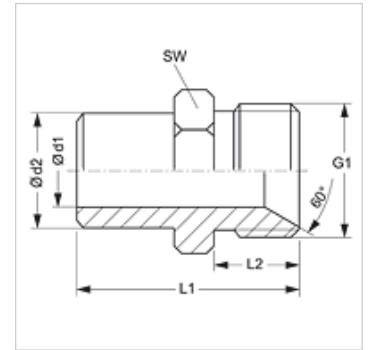


SA H VA

Welded on fitting

Properties

Connection 1	Welded on socket
Connection 2	metric cylindrical outer thread
Sealing form 2	60° inner cone
Design	Welded on fitting
Construction	straight
Standard	DIN 2353 ISO 8434-1
Scope of supply	Socket (without union nut and cutting ring)
Material	Stainless steel



Note

Information about fitting, installation, pressure loads and permissible operating temperatures can be found in the technical information for pipe fittings.

Item

Identification	G1	Ø d1 (mm)	Ø d2 (mm)	L1 (mm)	L2 (mm)	AF (mm)
SA NW 04 H VA	M 12 x 1.5	3,5	6	24	10	12
SA NW 06 H VA	M 14 x 1.5	4,5	8	25	10	14
SA NW 08 H VA	M 16 x 1.5	6,0	10	25	10	17
SA NW 10 H VA	M 18 x 1.5	8,0	14	25	10	19
SA NW 13 H VA	M 22 x 1.5	10,5	17	27	12	22
SA NW 16 H VA	M 26 x 1.5	13,0	21	28	12	27
SA NW 20 H VA	M 30 x 1.5	15,5	25	28	12	30
SA NW 25 H VA	M 38 x 1.5	21,0	30	30	14	41
SA NW 32 H VA	M 45 x 1.5	28,0	38	31	14	46
SA NW 40 H VA	M 52 x 1.5	35,0	44	32	14	55
SA NW 50 H VA	M 65 x 2	45,0	57	36	17	65
SA NW 60 H VA	M 78 x 2	55,0	64	36	17	80