

SV HB

Bulkhead fitting socket

Properties

Connection 1 BSP external thread, cylindrical

Sealing form 1 60° inner cone

Connection 2 BSP cylindrical external threads

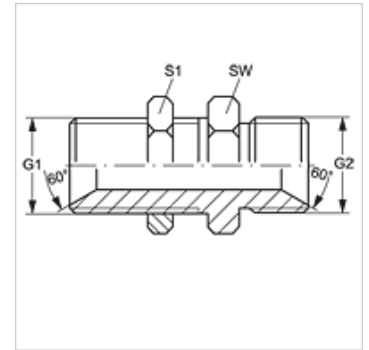
Sealing form 2 60° inner cone

Design Bulkhead fitting socket

Construction straight

Material Steel

Surface electro galvanised



Item

Identification	G1 + G2	AF (mm)	S1
SV HB 02	G 1/8" -28	14	14
SV HB 04	G 1/4" -19	19	19
SV HB 06	G 3/8" -19	22	22
SV HB 08	G 1/2" -14	27	27
SV HB 10	G 5/8" -14	30	30
SV HB 12	G 3/4" -14	32	32
SV HB 16	G 1" -11	41	41
SV HB 20	G 1.1/4" -11	50	50
SV HB 24	G 1.1/2" -11	55	55
SV HB 32	G 2" -11	70	70

SW, S1, S2 = With across flats

Product versions

SV HB VA Bulkhead fitting socket, Stainless steel