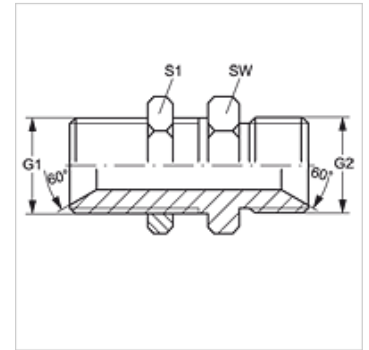


SV HB VA

Bulkhead fitting socket

Properties

Connection 1	BSP external thread, cylindrical
Sealing form 1	60° inner cone
Connection 2	BSP cylindrical external threads
Sealing form 2	60° inner cone
Design	Bulkhead fitting socket
Construction	straight
Material	Stainless steel



Item

Identification	G1 + G2	AF (mm)	S1
SV HB 02 VA	G 1/8" -28	14	14
SV HB 04 VA	G 1/4" -19	19	19
SV HB 06 VA	G 3/8" -19	22	22
SV HB 08 VA	G 1/2" -14	27	27
SV HB 12 VA	G 3/4" -14	32	32
SV HB 16 VA	G 1" -11	41	41
SV HB 20 VA	G 1.1/4" -11	50	50
SV HB 24 VA	G 1.1/2" -11	55	55
SV HB 32 VA	G 2" -11	70	70

SW, S1, S2 = With across flats

Product versions

SV HB	Bulkhead fitting socket, Steel
--------------	--------------------------------