

# SV HJ

## Bulkhead fitting socket

### Properties

**Connection 1** UN/UNF external threads

**Sealing form 1** 74° outer cone

**Connection 2** UN/UNF external threads

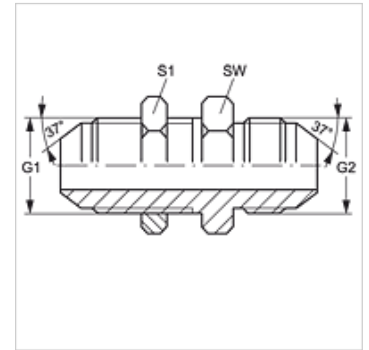
**Sealing form 2** 74° outer cone

**Design** Bulkhead fitting socket

**Construction** straight

**Material** Steel

**Surface** electro galvanised



### Item

Identification	G1 + G2	AF (mm)	S1
SV HJ 04	7/16"-20 UNF	17	17
SV HJ 05	1/2"-20 UNF	19	19
SV HJ 06	9/16"-18 UNF	22	22
SV HJ 08	3/4"-16 UNF	24	24
SV HJ 10	7/8"-14 UNF	30	30
SV HJ 12	1.1/16" -12 UN	36	36
SV HJ 14	1.3/16" -12 UN	38	38
SV HJ 16	1.5/16" -12 UN	41	41
SV HJ 20	1.5/8" -12 UN	50	50
SV HJ 24	1.7/8" -12 UN	55	55
SV HJ 32	2.1/2" -12 UN	65	65

SW, S1, S2 = With across flats

### Product versions

SV HJ VA Bulkhead fitting socket, Stainless steel