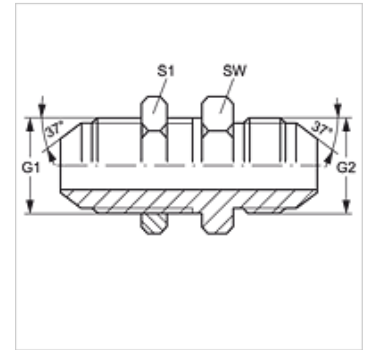


SV HJ VA

Bulkhead fitting socket

Properties

Connection 1	UN/UNF external threads
Sealing form 1	74° outer cone
Connection 2	UN/UNF external threads
Sealing form 2	74° outer cone
Design	Bulkhead fitting socket
Construction	straight
Material	Stainless steel



Item

Identification	G1 + G2	AF (mm)	S1
SV HJ 04 VA	7/16"-20 UNF	17	17
SV HJ 05 VA	1/2"-20 UNF	19	19
SV HJ 06 VA	9/16"-18 UNF	22	22
SV HJ 08 VA	3/4"-16 UNF	24	24
SV HJ 10 VA	7/8"-14 UNF	30	30
SV HJ 12 VA	1.1/16" -12 UN	36	36
SV HJ 16 VA	1.5/16" -12 UN	41	41
SV HJ 20 VA	1.5/8" -12 UN	50	50
SV HJ 24 VA	1.7/8" -12 UN	55	55

SW, S1, S2 = With across flats

Product versions

SV HJ	Bulkhead fitting socket, Steel
-------	--------------------------------