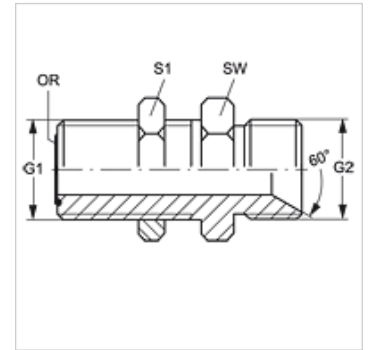


SV HJOF HB

Bulkhead fitting socket

Properties

Connection 1	ORFS external threads
Sealing form 1	flat seal with O-ring
Connection 2	BSP cylindrical external threads
Sealing form 2	60° inner cone
Design	Bulkhead fitting socket
Construction	straight
Material	Steel
Surface	electro galvanised



Item

Identification	G1	G2	AF (mm)	S1	OR
SV HJOF 06 HB	11/16" -16 UN	G 3/8" -19	27	27	9.25 x 1.78
SV HJOF 08 HB	13/16" -16 UN	G 1/2" -14	27	30	12.42 x 1.78
SV HJOF 12 HB	1.3/16" -12 UN	G 3/4" -14	36	41	18.77 x 1.78
SV HJOF 16 HB	1.7/16" -12 UN	G 1" -11	41	46	23.52 x 1.78

SW, S1, S2 = With across flats