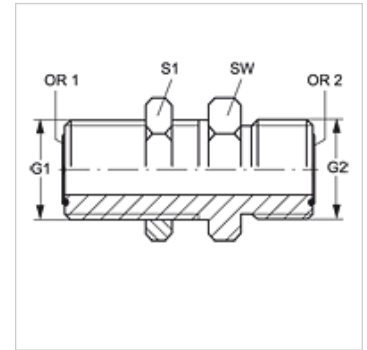


SV HJOF VA

Bulkhead fitting socket

Properties

| | |
|-----------------------|-------------------------|
| Connection 1 | ORFS external threads |
| Sealing form 1 | flat seal with O-ring |
| Connection 2 | ORFS external threads |
| Sealing form 2 | flat seal with O-ring |
| Design | Bulkhead fitting socket |
| Construction | straight |
| Material | Stainless steel |



Ordering information

Seals of NBR
FPM (Viton) on request

Item

| Identification | G1 + G2 | AF (mm) | S1 | OR1 + OR2 |
|----------------------|----------------|------------|----|--------------|
| SV HJOF 04 VA | 9/16"-18 UNF | 22 | 22 | 7.66 x 1.78 |
| SV HJOF 06 VA | 11/16" -16 UN | 27 | 27 | 9.25 x 1.78 |
| SV HJOF 08 VA | 13/16" -16 UN | 30 | 30 | 12.42 x 1.78 |
| SV HJOF 12 VA | 1.3/16" -12 UN | 41 | 41 | 18.77 x 1.78 |

SW, S1, S2 = With across flats

Product versions

SV HJOF Bulkhead fitting socket, Steel