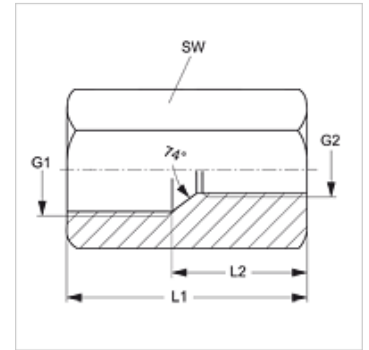


Properties

Connection 1	UN/UNF inner thread
Sealing form 1	74° inner cone
Connection 2	BSP cylindrical internal threads
Sealing form 2	Flat seal
Design	Union nut
Material	Steel
Surface	electro galvanised



Item						
Identification	G1	G2	L1 (mm)	L2 (mm)	AF (mm)	
UEM AJ 04 IR	7/16"-20 UNF	G 1/4" -19	29	-	19	
UEM AJ 05 IR 04	1/2"-20 UNF	G 1/4" -19	29	-	19	
UEM AJ 06 IR 04	9/16"-18 UNF	G 1/4" -19	29	-	19	
UEM AJ 06 IR	9/16"-18 UNF	G 3/8" -19	29	-	19	
UEM AJ 08 IR 04	3/4"-16 UNF	G 1/4" -19	32	-	22	
UEM AJ 08 IR	3/4"-16 UNF	G 1/2" -14	32	-	22	
UEM AJ 10 IR 04	7/8"-14 UNF	G 1/4" -19	32	-	27	
UEM AJ 10 IR 08	7/8"-14 UNF	G 1/2" -14	32	-	27	
UEM AJ 12 IR 04	1.1/16" -12 UN	G 1/4" -19	-	13	32	
UEM AJ 12 IR	1.1/16" -12 UN	G 3/4" -14	-	13	32	
UEM AJ 14 IR 04	1.3/16" -12 UN	G 1/4" -19	-	19	36	
UEM AJ 16 IR 04	1.5/16" -12 UN	G 1/4" -19	-	20	41	
UEM AJ 16 IR	1.5/16" -12 UN	G 1" -11	-	20	41	
UEM AJ 20 IR 04	1.5/8" -12 UN	G 1/4" -19	-	20	50	
UEM AJ 24 IR 04	1.7/8" -12 UN	G 1/4" -19	-	24	60	

SW, S1, S2 = With across flats