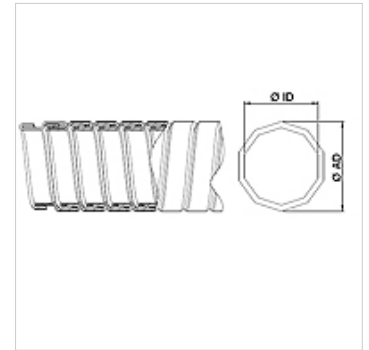


Properties

| | |
|--------------------|--|
| Application | Highly suitable for conveying exhaust gases |
| Design | wound metal hose with metallic seal multi-edged polygonal design |
| Properties | Special winding technology assures very low leakage and exceptional flexibility |
| Temp. range | can be used up to 400 °C |
| Material | Galvanised steel band |



Note

Wound hoses are stretched for measurement.

Ordering information

Other sizes on request

Item

| Identification | Ø ID (mm) | Ø AD (mm) | Tolerances of ID/ED (mm) | Bending radius (+10 %) (mm) | Weight compressed (per m) (kg) |
|----------------|--------------|--------------|-----------------------------|--------------------------------|-----------------------------------|
| AVX 020 | 20,00 | 23,00 | 0,40 | 115 | 0,46 |
| AVX 025 | 25,00 | 28,00 | 0,40 | 140 | 0,58 |
| AVX 030 | 30,00 | 33,50 | 0,40 | 150 | 0,70 |
| AVX 032 | 32,00 | 35,50 | 0,40 | 160 | 0,84 |
| AVX 035 | 35,00 | 38,50 | 0,40 | 173 | 0,92 |
| AVX 040 | 40,00 | 43,50 | 0,40 | 182 | 1,05 |
| AVX 045 | 45,00 | 48,50 | 0,40 | 192 | 1,18 |
| AVX 050 | 50,00 | 54,00 | 0,40 | 205 | 1,63 |
| AVX 055 | 55,00 | 59,00 | 0,40 | 225 | 1,80 |
| AVX 060 | 60,00 | 64,00 | 0,40 | 234 | 1,94 |
| AVX 065 | 65,00 | 69,00 | 0,40 | 254 | 2,15 |
| AVX 070 | 70,00 | 74,00 | 0,40 | 273 | 2,30 |
| AVX 075 | 75,00 | 79,00 | 0,40 | 293 | 2,43 |
| AVX 080 | 80,00 | 84,00 | 0,60 | 312 | 2,62 |
| AVX 085 | 85,00 | 89,00 | 0,60 | 332 | 2,76 |
| AVX 090 | 90,00 | 94,00 | 0,60 | 351 | 2,90 |
| AVX 096 | 96,00 | 100,00 | 0,60 | 375 | 3,10 |
| AVX 100 | 100,00 | 104,00 | 0,80 | 390 | 3,25 |
| AVX 110 | 110,00 | 114,00 | 0,80 | 429 | 3,55 |
| AVX 115 | 115,00 | 119,00 | 0,80 | 449 | 3,74 |
| AVX 120 | 120,00 | 124,00 | 0,80 | 468 | 3,92 |
| AVX 125 | 125,00 | 129,00 | 0,80 | 488 | 4,06 |
| AVX 130 | 130,00 | 135,00 | 0,80 | 620 | 5,08 |
| AVX 140 | 140,00 | 145,00 | 1,00 | 680 | 5,48 |
| AVX 150 | 150,00 | 155,00 | 1,00 | 715 | 5,88 |
| AVX 200 | 200,00 | 205,00 | 1,00 | 950 | 7,80 |

Product versions

| | |
|------------|--|
| KAX | Wound hose for exhaust gases, Stainless steel strip 1.4301 |
|------------|--|