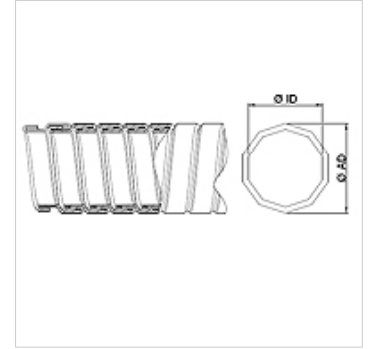


Properties

Application	Highly suitable for conveying exhaust gases
Design	wound hose with metallic seal multi-edged polygonal design
Properties	Special winding technology assures very low leakage and exceptional flexibility
Temp. range	can be used up to 650 °C
Material	Stainless steel strip 1.4301



Note

Wound hoses are stretched for measurement.

Ordering information

Other sizes on request

Item

Identification	Ø ID (mm)	Ø AD (mm)	Tolerances of ID/ED (mm)	Bending radius (+10 %) (mm)	Weight compressed (per m) (kg)
KAX 020	20,00	23,00	0,40	115	0,46
KAX 025	25,00	28,00	0,40	140	0,58
KAX 030	30,00	33,50	0,40	150	0,70
KAX 032	32,00	35,50	0,40	160	0,84
KAX 035	35,00	38,50	0,40	173	0,92
KAX 040	40,00	43,50	0,40	182	1,05
KAX 042	42,00	45,50	0,40	186	1,10
KAX 045	45,00	48,50	0,40	192	1,18
KAX 050	50,00	54,00	0,40	205	1,63
KAX 055	55,00	59,00	0,40	225	1,80
KAX 060	60,00	64,00	0,40	234	1,94
KAX 065	65,00	69,00	0,40	254	2,15
KAX 070	70,00	74,00	0,40	273	2,30
KAX 075	75,00	79,00	0,40	293	2,43
KAX 080	80,00	84,00	0,60	312	2,62
KAX 085	85,00	89,00	0,60	332	2,76
KAX 090	90,00	94,00	0,60	351	2,90
KAX 096	96,00	100,00	0,60	375	3,10
KAX 100	100,00	104,00	0,80	390	3,25
KAX 110	110,00	114,00	0,80	429	3,55
KAX 115	115,00	119,00	0,80	449	3,74
KAX 120	120,00	124,00	0,80	468	3,92
KAX 125	125,00	129,00	0,80	488	4,06
KAX 130	130,00	135,00	0,80	620	5,08
KAX 140	140,00	145,00	1,00	680	5,48
KAX 150	150,00	155,00	1,00	715	5,88

Product versions

AVX	Wound hose for exhaust gases, Galvanised steel band
------------	-----------------------------------------------------