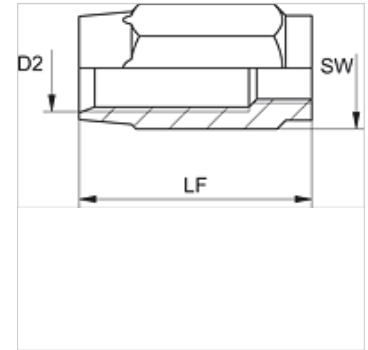


AFH 100

Screw ferrule, TAF 100

Properties

Ferrule type	Screw ferrule
Material	Steel
Surface	electro galvanised



Item

Identification	DN*	Size	Inches	D2 (mm)	LF (mm)	AF (mm)
AFH 104	4	3	3/16"	7,9	25,0	12
AFH 106	6	4	1/4"	11,0	36,0	17
AFH 108	8	5	5/16"	13,0	38,0	19
AFH 110	10	6	3/8"	15,5	44,5	22
AFH 113	12	8	1/2"	20,1	51,0	27

DN = Nominal diameter, nominal width