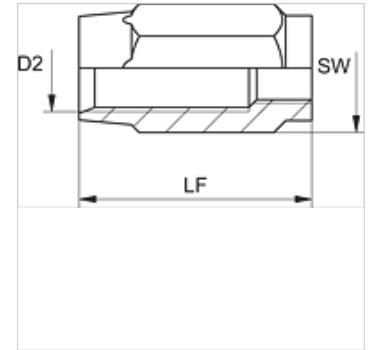


# BFH 200

Screw ferrule, TBF 200

## Properties

<b>Ferrule type</b>	Screw ferrule
<b>Material</b>	Steel
<b>Surface</b>	electro galvanised



## Item

Identification	DN*	Size	Inches	D2 (mm)	LF (mm)	AF (mm)
<b>BFH 204</b>	4	3	3/16"	8,8	25,0	12
<b>BFH 206</b>	6	4	1/4"	12,4	36,0	17
<b>BFH 208</b>	8	5	5/16"	14,0	38,0	19
<b>BFH 210</b>	10	6	3/8"	17,5	44,5	22
<b>BFH 213</b>	12	8	1/2"	21,0	51,0	27
<b>BFH 220</b>	19	12	3/4"	26,5	57,0	30

DN = Nominal diameter, nominal width