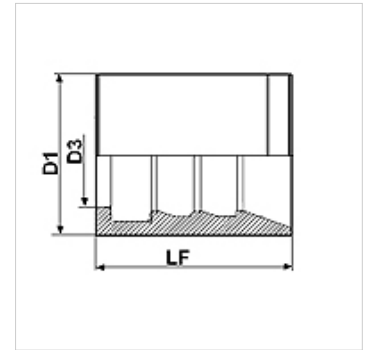
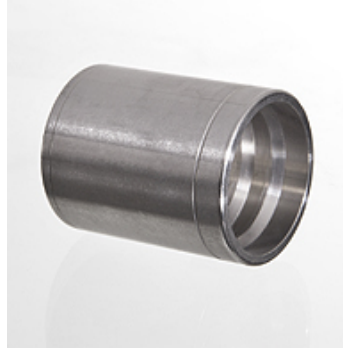


PHD 100 VA

Swage ferrule for braided hose

Properties

Ferrule type	Skive ferrule / non-skive ferrule
suitable for	Skive ferrule: 1SN (HD 100, HD 100T, HF 100, HW 100) 1SC (KP 100) 2SC (KP 200, KP 200PRO, KP 200S) Non-skive ferrule: 1SN (HD 100), 1SC (DN 16, 19, 25) 2TE (TE 200B, DN06 to DN25)
Material	Stainless steel



Note

The ferrule assignment depends on the hose type.

Item

Identification	DN*	Size	Inches	D1 (mm)	D3 (mm)	LF (mm)
PHD 106 VA	6	4	1/4"	20	10,4	34,5
PHD 108 VA	8	5	5/16"	22	12,0	34,5
PHD 110 VA	10	6	3/8"	25	14,0	35,0
PHD 113 VA	12	8	1/2"	28	17,3	37,0
PHD 116 VA	16	10	5/8"	32	20,3	40,0
PHD 120 VA	19	12	3/4"	36	24,3	45,0
PHD 125 VA	25	16	1"	45	32,3	50,0
PHD 132 VA	31	20	1.1/4"	55	37,8	70,0
PHD 140 VA	38	24	1.1/2"	60	45,0	70,0
PHD 150 VA	51	32	2"	76	57,5	80,0

DN = Nominal diameter, nominal width