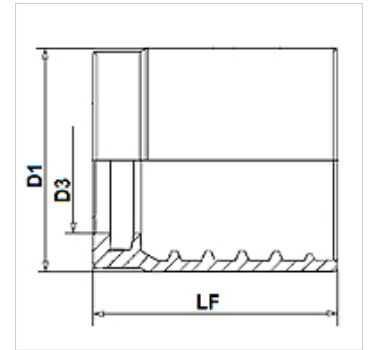


PHN 200

Swage ferrule for braided hose

Properties

Ferrule type	Non-skive ferrule
suitable for	1SN (HD 100) 2SN (HD 200) 2SC (KP 200)
Material	Steel
Surface	electro galvanised



Note

The ferrule assignment depends on the hose type.

Item

Identification	DN*	Size	Inches	D1 (mm)	D3 (mm)	LF (mm)
PHN 204	5	3	3/16"	21,0	9,5	23,5
PHN 206	6	4	1/4"	23,0	11,4	30,0
PHN 208	8	5	5/16"	24,0	13,2	30,0
PHN 210	10	6	3/8"	26,0	14,5	31,0
PHN 213	12	8	1/2"	29,0	18,3	32,0
PHN 216	16	10	5/8"	33,0	21,6	36,0
PHN 220	19	12	3/4"	37,0	24,4	42,5
PHN 225	25	16	1"	46,0	31,0	51,0
PHN 232	31	20	1.1/4"	59,0	38,3	57,5
PHN 240	38	24	1.1/2"	67,0	44,0	60,5
PHN 250	51	32	2"	80,0	57,0	74,0

DN = Nominal diameter, nominal width