

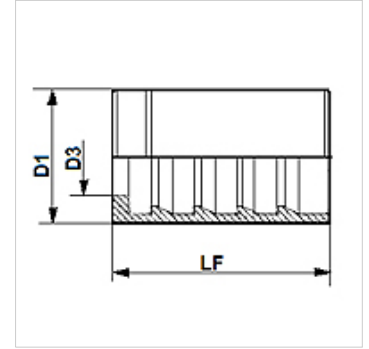
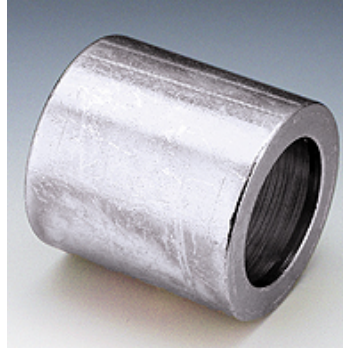
Properties

Ferrule type Non-skive ferrule

suitable for 2TE (TE 200, TE 200B,
3TE (TE 300)
SI 200 RME

Material Steel

Surface electro galvanised



Note

The ferrule assignment depends on the hose type.

PHT204 for 2TE (TE200, TE200B)

PHT304 for 3TE (TE300)

Item

Identification	DN*	Size	Inches	D1 (mm)	D3 (mm)	LF (mm)
PHT 204	5	3	3/16"	17,0	9,8	27,3
PHT 304	5	3	3/16"	18,6	9,8	27,3
PHT 06	6	4	1/4"	19,0	11,6	28,0
PHT 08	8	5	5/16"	22,3	12,6	30,2
PHT 10	10	6	3/8"	23,0	14,9	29,5
PHT 13	12	8	1/2"	27,0	18,5	31,0
PHT 16	16	10	5/8"	32,0	21,8	33,0
PHT 20	19	12	3/4"	35,0	24,6	37,5
PHT 25	25	16	1"	42,0	30,8	45,5
PHT 32	31	20	1.1/4"	48,0	37,9	55,0
PHT 40	38	24	1.1/2"	57,2	44,2	63,2
PHT 50	51	32	2"	76,0	56,8	78,5

DN = Nominal diameter, nominal width