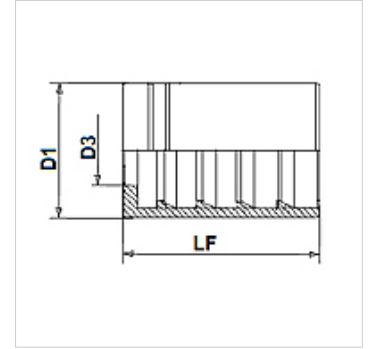
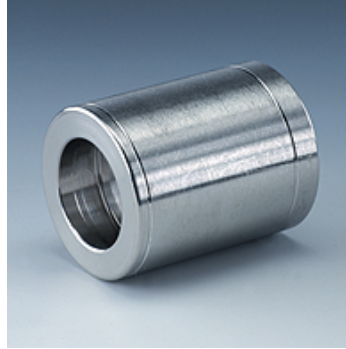


PHT 300 VA

Pressed holder for textile braid hose

Properties

Ferrule type	Non-skive ferrule
suitable for	3TE (TE 300)
Material	Stainless steel



Note

The ferrule assignment depends on the hose type.

Item

Identification	DN*	Size	Inches	D1 (mm)	D3 (mm)	LF (mm)
PHT 340 VA	38	24	1.1/2"	60,0	45,1	70,0
PHT 350 VA	51	32	2"	76,0	57,4	80,0

DN = Nominal diameter, nominal width