

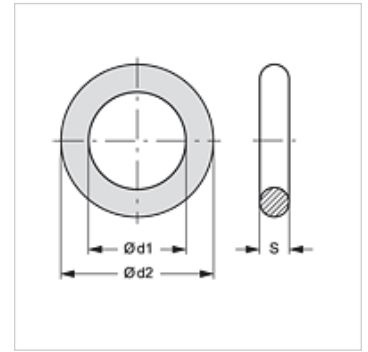
# RKL ORING

O-ring

## Properties

suitable for Pipe coupling (loose)

Material NBR



## Item

Identification	Size	$\varnothing d1$ (mm)	$\varnothing d2$ (mm)	S (mm)
RKL ORING 1-17-2	1	17,5	21,5	2
RKL ORING 2-20-2	2	22,0	26,0	2
RKL ORING 4-24-3	4	24,0	30,0	3
RKL ORING 4-32-3	4	32,0	38,0	3

## Spare part for following products

RKL HL / RKL HS Pipe coupling (loose)