

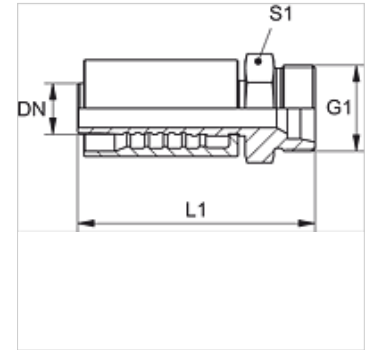
PA 500 HS VA

Swage fitting, CES

HANSA FLEX

Properties

Application	Swage fitting for HD 500 hoses
Connection 1	metric cylindrical outer thread
Sealing form 1	24° inner cone
Short code	CES
Standard	ISO 8434-1
Integration	with pull-out protection (interlock)
Scope of supply	Swage nipple + swage ferrule
Material	Stainless steel
Surface	electro galvanised



Item

Identification	DN	Size	Inches	Series	G1	for external pipe Ø (mm)	S1
PA 520 HS 16 VA	19	12	3/4"	S	M 30 x 2	20	32
PA 520 HS VA	19	12	3/4"	S	M 36 x 2	25	36
PA 525 HS 20 VA	25	16	1"	S	M 36 x 2	25	36
PA 525 HS VA	25	16	1"	S	M 42 x 2	30	46
PA 532 HS VA	31	20	1.1/4"	S	M 52 x 2	38	55

Product versions

PA 500 HS A Swage fitting, CES, Steel